

4

3

2

1

MATERIAL & FINISH:

- 1 BODY: BRASS, NICKEL PLATED
- 2 CENTER CONTACT: PHOSPHOR BRONZE, GOLD PLATED
- 3 INSULATOR: PTFE

ELECTRICAL DATA:

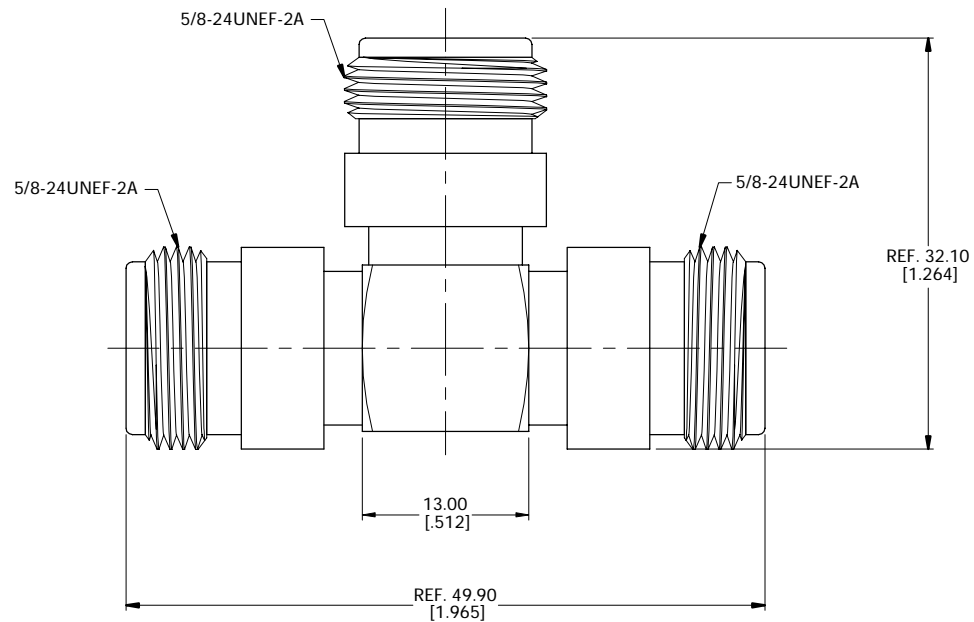
- 1 IMPEDANCE: 50 Ω
- 2 FREQUENCY RANGE: DC-3GHz

ENVIRONMENTAL DATA:

- 1 TEMPERATURE RANGE: -55°C~+125°C
- 2 2011/65/EU(RoHS) AND 2015/863/(RoHS): COMPLIANT
- 3 1907/2006/EC(REACH): COMPLIANT

REVISIONS

REV.	DESCRIPTION	DATE	APPROVED
A	INITIAL RELEASE	08/22/23	J. Q



DRAWN	X. Y	DATE	08/22/23
CHECKED	W. Y	DATE	08/22/23
APPROVED	J. Q	DATE	08/22/23

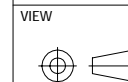


UNLESS OTHERWISE SPECIFIED DIMENSIONS ARE IN MILLIMETERS, DIMENSIONS IN [] ARE IN INCHES FOR CUSTOMER REFERENCE ONLY UNLESS OTHERWISE SPECIFIED TOLERANCE ARE:

XX	±0.13 [.005"]
X	±0.20 [.008"]
X	±0.50 [.019"]
X°	±1°
X°	±2°

THESE DRAWINGS AND SPECIFICATIONS ARE THE PROPERTY OF ANOISON ELECTRONICS LTD AND SHOULD NOT BE USED WITHOUT WRITTEN PERMISSION COPYRIGHT © 2023 ANOISON ELECTRONICS LTD

TITLE
TEE ADAPTER, N FEMALE TO FEMALE TO FEMALE



PART NO. ANO 512-512-5122			
SIZE A3	SCALE 2.5:1	SHEET 1/1	REV. A

4

3

2

1

D

C

B

A

D

C

B

A