

MATERIAL & FINISH:

- 1 BODY: BRASS, NICKEL PLATED
- 2 CENTER CONTACT: PHOSPHOR BRONZE, GOLD PLATED
- 3 COUPLING NUT: BARSS, NICKEL PLATED
- 4 LOCK WASHER: PHOSPHOR BRONZE, NICKEL PLATED
- 5 FASTENING NUT: BRASS, NICKEL PLATED
- 6 INSULATOR: PEI
- 7 O-RING: SILICONE RUBBER

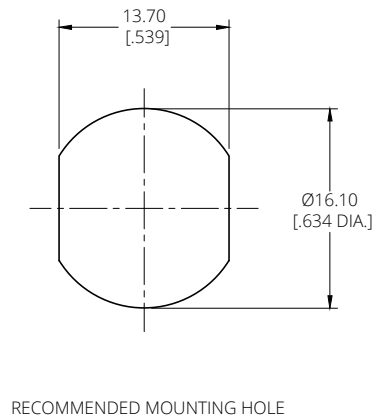
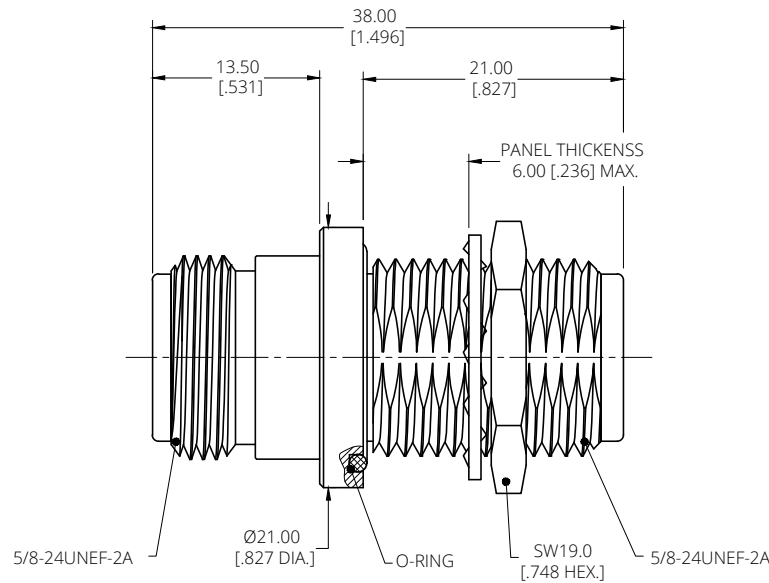
ELECTRICAL DATA:

- 1 IMPEDANCE: 50 Ω
- 2 FREQUENCY RANGE: DC~18 GHz
- 3 VSWR: 1.15 MAX. @ DC~6 GHz
1.25 MAX. @ 6~18 GHz
- 4 INSERTION LOSS: ≤0.036√f(GHz) dB

ENVIRONMENTAL DATA:

- 1 TEMPERATURE RANGE: -55°C~+125°C
- 2 2011/65/EU (RoHS): COMPLIANT

REVISIONS			
REV.	DESCRIPTION	DATE	APPROVED
A	INITIAL RELEASE	10/22/24	J. Q



NOTES

- 1. FASTENING NUT & LOCK WASHER AND O-RING SEPARATE PACKED

DRAWN	Y. H	DATE	10/22/24										
CHECKED	L. Y	DATE	10/22/24										
APPROVED	J. Q	DATE	10/22/24										
UNLESS OTHERWISE SPECIFIED DIMENSIONS ARE IN MILLIMETERS, DIMENSIONS IN [] ARE IN INCHES FOR CUSTOMER REFERENCE ONLY UNLESS OTHERWISE SPECIFIED TOLERANCE ARE:				TITLE ADAPTER, N FEMALE TO N FEMALE WATERPROOF BULKHEAD									
<table border="0"> <tr> <td>XX</td> <td>±0.13 [.005"]</td> </tr> <tr> <td>X</td> <td>±0.20 [.008"]</td> </tr> <tr> <td>X</td> <td>±0.50 [.019"]</td> </tr> <tr> <td>X°</td> <td>±1°</td> </tr> <tr> <td>X°</td> <td>±2°</td> </tr> </table>					XX	±0.13 [.005"]	X	±0.20 [.008"]	X	±0.50 [.019"]	X°	±1°	X°
XX	±0.13 [.005"]												
X	±0.20 [.008"]												
X	±0.50 [.019"]												
X°	±1°												
X°	±2°												
THESE DRAWINGS AND SPECIFICATIONS ARE THE PROPERTY OF ANOISON ELECTRONICS LTD AND SHOULD NOT BE USED WITHOUT WRITTEN PERMISSION COPYRIGHT © 2024 ANOISON ELECTRONICS LTD				VIEW 	PART NO. ANO 512-512-1690								
SIZE A3		SCALE 2.5:1	SHEET 1/1	REV. A									