

4

3

2

1

MATERIAL & FINISH:

- 1 BODY: BRASS, ALBALOY PLATED
- 2 CENTER CONTACT: PHOSPHOR BRONZE, SILVER PLATED
- 3 FASTENING NUT: BARSS, ALBALOY PLATED
- 4 LOCK WASHER: PHOSPHOR BRONZE, ALBALOY PLATED
- 5 INSULATOR 1: PEI
- 6 INSULATOR 2: GLASS
- 7 O-RING: SILICONE RUBBER

ELECTRICAL DATA:

- 1 IMPEDANCE: 50 Ω
- 2 FREQUENCY RANGE: DC~11 GHz
- 3 VSWR: 1.35 MAX.

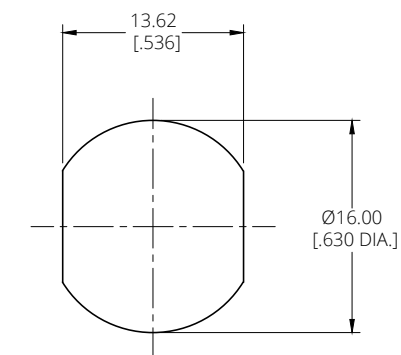
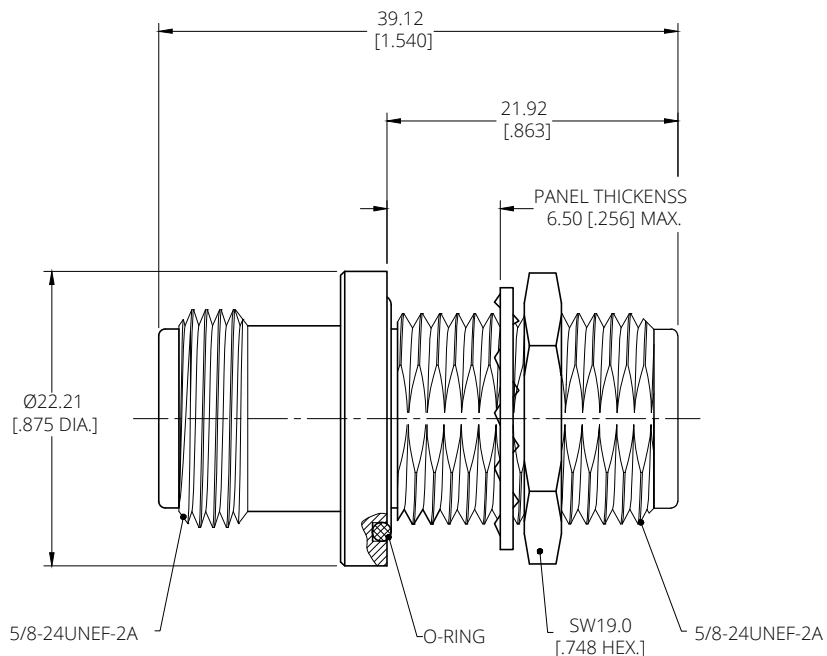
MECHANICAL DATA:

- 1 HERMETICITY: 1X10⁻⁶ CC/SEC AT ONE ATMOSPHERE

ENVIRONMENTAL DATA:

- 1 TEMPERATURE RANGE: -55°C~+125°C
- 2 2011/65/EU (RoHS): COMPLIANT

REVISIONS			
REV.	DESCRIPTION	DATE	APPROVED
A	INITIAL RELEASE	06/03/16	J. Q
B	FORMAT CHANGED	11/12/24	J. Q



RECOMMENDED MOUNTING HOLE

NOTES:

1. FASTENING NUT & LOCK WASHER AND O-RING SEPARATE PACKED.

DRAWN	Y. H	DATE	11/12/24
CHECKED	X. Y	DATE	11/12/24
APPROVED	J. Q	DATE	11/12/24
UNLESS OTHERWISE SPECIFIED DIMENSIONS ARE IN MILLIMETERS, DIMENSIONS IN [] ARE IN INCHES FOR CUSTOMER REFERENCE ONLY UNLESS OTHERWISE SPECIFIED TOLERANCE ARE:		THESE DRAWINGS AND SPECIFICATIONS ARE THE PROPERTY OF ANOISON ELECTRONICS LTD AND SHOULD NOT BE USED WITHOUT WRITTEN PERMISSION COPYRIGHT © 2024 ANOISON ELECTRONICS LTD	
	XX	±0.13 [.005"]	
	X	±0.20 [.008"]	
	X	±0.50 [.019"]	
	X°	±1°	
	X°	±2°	

TITLE

ADAPTER, N FEMALE TO N FEMALE
BULKHEAD WATERPROOF, HERMETIC SEAL

VIEW



PART NO.

ANO 512-512-1369

SIZE
A3SCALE
2.5:1SHEET
1/1REV.
B

4

3

2

1