

4

3

2

1

MATERIAL & FINISH:

- 1 BODY: BRASS, SEE TABLE
- 2 CENTER CONTACT: PHOSPHOR BRONZE, SEE TABLE
- 3 LOCK WASHER: PHOSPHOR BRONZE, SEE TABLE
- 5 FASTENING NUT: BRASS, SEE TABLE
- 6 INSULATOR: PTFE
- 7 O-RING: SILICONE RUBBER

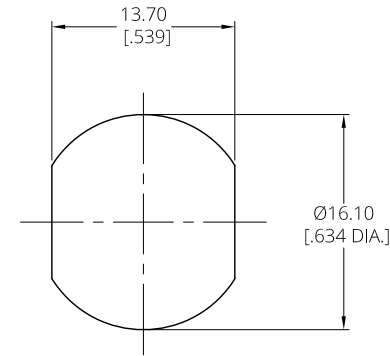
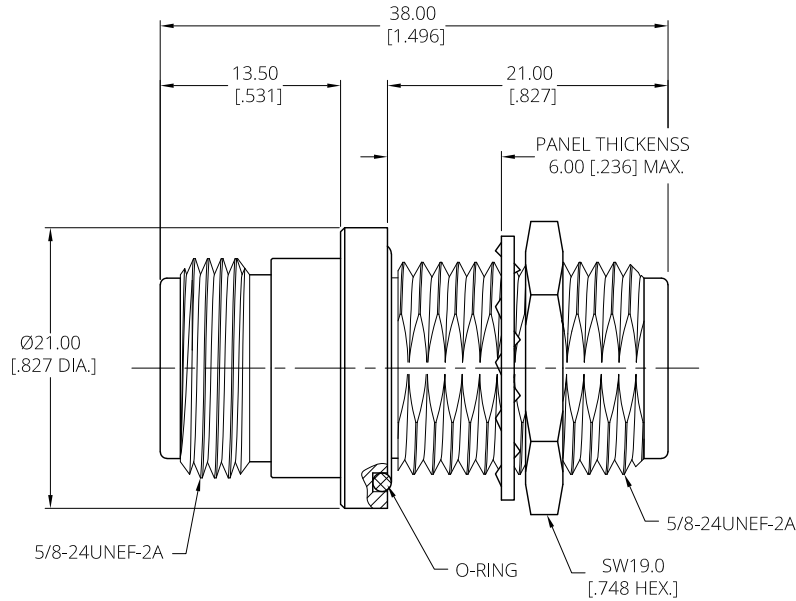
ELECTRICAL DATA:

- 1 IMPEDANCE: 50 Ω
- 2 FREQUENCY RANGE: DC~18 GHz
- 3 VSWR: 1.15 MAX. @ DC~6 GHz
1.25 MAX. @ 6~18 GHz
- 4 INSERTION LOSS: ≤0.036√f(GHz) dB
- 5 PIM: SEE TABLE

ENVIRONMENTAL DATA:

- 1 TEMPERATURE RANGE: -55°C~+125°C
- 2 2011/65/EU (RoHS): COMPLIANT

REVISIONS			
REV.	DESCRIPTION	DATE	APPROVED
A	INITIAL RELEASE	10/22/24	J. Q
B	ANO 511-512-1018-1 ADDED	02/12/26	J. Q



RECOMMENDED MOUNTING HOLE

NOTES

- 1. FASTENING NUT & LOCK WASHER AND O-RING SEPARATE PACKED

TABLE

PART NO.	PART	FINISH	PIM (2X43 dBm)
ANO 511-512-1018	CENTER CONTACT	GOLD	—
	BODY / LOCK WASHER / FASTENING NUT	NICKEL	
ANO 511-512-1018-1	CENTER CONTACT	SILVER	≤-158 dBc
	BODY / LOCK WASHER / FASTENING NUT	ALBALOY	

DRAWN	X. Y	DATE	02/12/26
CHECKED	W. Y	DATE	02/12/26
APPROVED	J. Q	DATE	02/12/26
UNLESS OTHERWISE SPECIFIED DIMENSIONS ARE IN MILLIMETERS, DIMENSIONS IN [] ARE IN INCHES FOR CUSTOMER REFERENCE ONLY UNLESS OTHERWISE SPECIFIED TOLERANCE ARE:		THESE DRAWINGS AND SPECIFICATIONS ARE THE PROPERTY OF ANOISON ELECTRONICS LTD AND SHOULD NOT BE USED WITHOUT WRITTEN PERMISSION COPYRIGHT © 2026 ANOISON ELECTRONICS LTD	
	.XX	±0.13 [0.005"]	
	.X	±0.20 [0.008"]	
	X	±0.50 [0.019"]	
	X°	±1°	
	X°	±2°	



TITLE
ADAPTER, N FEMALE TO N FEMALE WATERPROOF BULKHEAD

VIEW	PART NO. ANO 512-512-1018			
	SIZE A3	SCALE 2.5:1	SHEET 1/1	REV. B

4

3

2

1