

MATERIAL & FINISH:

- 1 BODY: STAINLESS STEEL, PASSIVATED
- 2 CENTER CONTACT: BERYLLIUM COPPER ALLOY, GOLD PLATED
- 3 INSULATOR: PEI

ENVIRONMENTAL DATA:

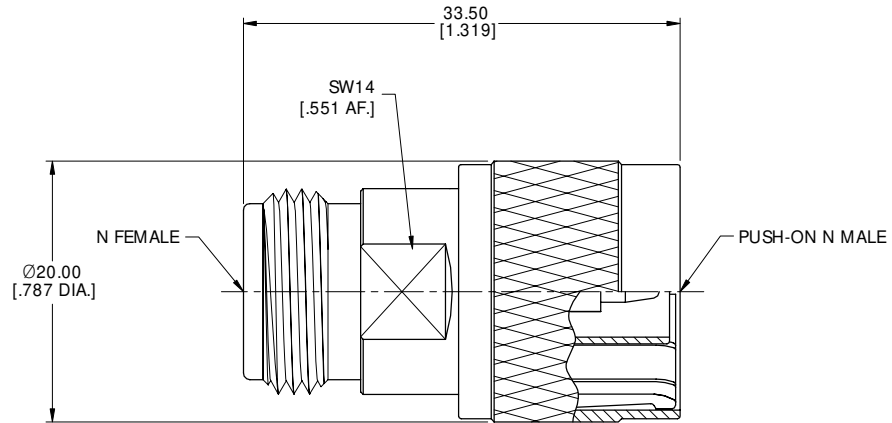
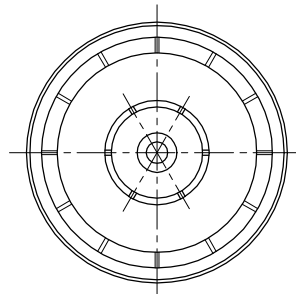
- 1 TEMPERATURE RANGE: -55°C~+125°C
- 2 2011/65/EU(RoHS) AND 2015/863/(RoHS): COMPLIANT
- 3 1907/2006/EC(REACH): COMPLIANT

ELECTRICAL DATA:

- 1 IMPEDANCE: 50 Ω
- 2 FREQUENCY RANGE: DC~18 GHz
- 3 VSWR: 1.10 MAX. AT DC~6 GHz
1.15 MAX. AT 6~12.4 GHz
1.20 MAX. AT 12.4~18 GHz

REVISIONS

| REV. | DESCRIPTION | DATE | APPROVED |
|------|-----------------|----------|----------|
| A | INITIAL RELEASE | 12/07/20 | J QU |



| | | | |
|----------|------------|------|----------|
| DRAWN | X. B. YANG | DATE | 12/07/20 |
| CHECKED | W. YANG | DATE | 12/07/20 |
| APPROVED | J QU | DATE | 12/07/20 |

UNLESS OTHERWISE SPECIFIED DIMENSIONS ARE IN MILLIMETERS. DIMENSIONS IN [] ARE IN INCHES FOR CUSTOMER REFERENCE ONLY UNLESS OTHERWISE SPECIFIED TOLERANCE ARE:

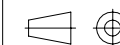
| | |
|-----|---------------|
| .xx | ±0.13 [.005"] |
| .x | ±0.20 [.008"] |
| x | ±0.50 [.019"] |
| .x° | ±1° |
| x° | ±2° |

THESE DRAWINGS AND SPECIFICATIONS ARE THE PROPERTY OF ANOISON ELECTRONICS LTD AND SHOULD NOT BE USED WITHOUT WRITTEN PERMISSION COPYRIGHT © 2020 ANOISON ELECTRONICS LTD



TITLE
ADAPTER, N FEMALE TO PUSH-ON N MALE

VIEW



PART NO.

ANO 512-511-1553

| | | | |
|------|-------|-------|------|
| SIZE | SCALE | SHEET | REV. |
| A3 | 2.5:1 | 1/1 | A |