

4

3

2

1

MATERIAL & FINISH

- 1 BODY: BRASS, ALBALOY PLATED
- 2 CENTER CONTACT: PHOSPHOR BRONZE, SILVER PLATED
- 3 INSULATOR: PTFE
- 4 COUPLING NUT: BRASS, ALBALOY PLATED
- 5 GASKTE: SILICONE RUBBER

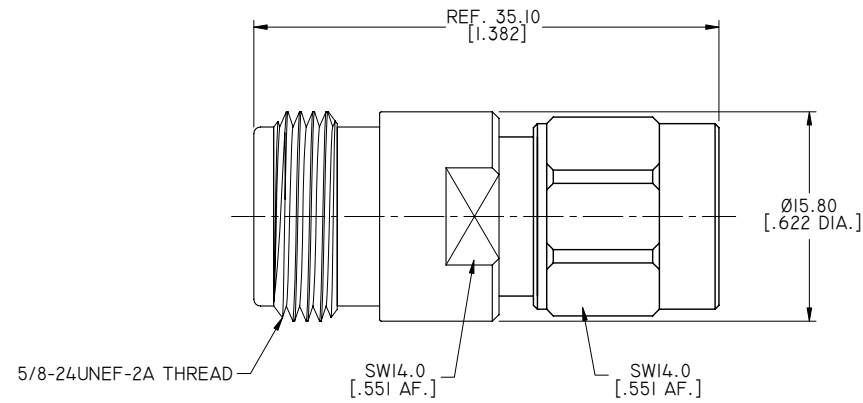
ELECTRICAL DATA:

- 1 IMPEDANCE: 50 OHMS
- 2 FREQUENCY RANGE: DC~6 GHZ
- 3 VSWR: 1.20 MAX. AT DC~3 GHZ  
1.30 MAX. AT 3~6 GHZ
- 4 PIM3: <-130 DBC(2X4.3 DBM) AT 0.4~4. GHZ
- 5 WITHSTANDING VOLTAGE: 1500 VRMS MIN.

ENVIRONMENTAL DATA:

- 1 TEMPERATURE RANGE: -55°C~+125°C
- 2 2011/65/EU (RoHS): COMPLIANT

REVISIONS			
REV.	DESCRIPTION	DATE	APPROVED
A	INITIAL RELEASE	10/20/17	J. QU



DRAWN	X. B. YANG	DATE	10/20/17
CHECKED	W. YANG	DATE	10/20/17
APPROVED	J. QU	DATE	10/20/17
UNLESS OTHERWISE SPECIFIED DIMENSIONS ARE IN MILLIMETERS, DIMENSIONS IN [ ] ARE IN INCHES FOR CUSTOMER REFERENCE ONLY UNLESS OTHERWISE SPECIFIED TOLERANCE ARE:		THESE DRAWINGS AND SPECIFICATIONS ARE THE PROPERTY OF ANOISON ELECTRONICS LTD AND SHOULD NOT BE USED WITHOUT WRITTEN PERMISSION COPYRIGHT © 2017 ANOISON ELECTRONICS LTD	
.XX	±0.13 [.005"]		
.X	±0.20 [.008"]		
X	±0.50 [.019"]		
.X°	±1°		
X°	±2°		



TITLE			
ADAPTER, N FEMALE TO TNC MALE			
VIEW	PART NO.		
	ANO 512-331-I425		
SIZE	SCALE	SHEET	REV.
A3	5:1	1/1	A

4

3

2

1