

1.0 MATERIAL & FINISH:

- 1.1 BODY: BRASS, NICKEL PLATED
- 1.2 CENTER CONTACT: PHOSPHOR BRONZE, GOLD PLATED
- 1.3 INSULATOR: PTFE
- 1.4 LOCK WASHER: PHOSPHOR BRONZE, NICKEL PLATED
- 1.5 FASTENING NUT: BRASS, NICKEL PLATED
- 1.6 O-RING: SILICONE RUBBER

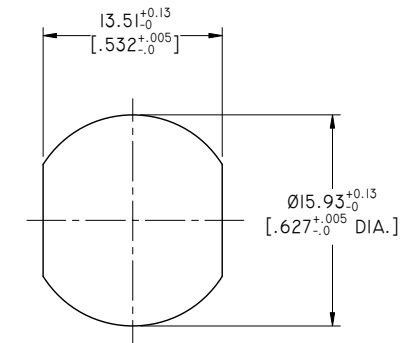
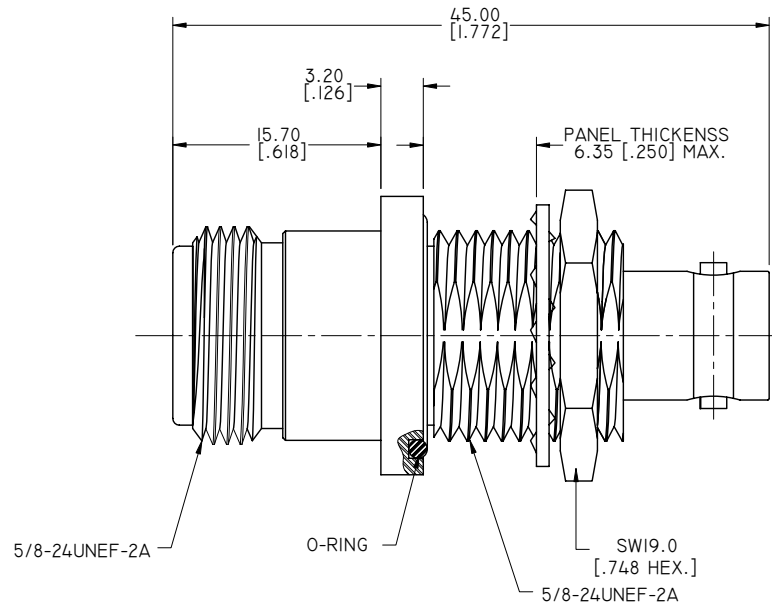
2.0 ENVIRONMENTAL DATA:

- 2.1 TEMPERATURE RANGE: -55°C~+125°C
- 2.2 2011/65/EU (RoHS): COMPLIANT

3.0 ELECTRICAL DATA:

- 3.1 IMPEDANCE: 50 Ω
- 3.2 FREQUENCY RANGE: DC~4 GHz
- 3.3 VSWR: 1.25 TYP.

REVISIONS			
REV.	DESCRIPTION	DATE	APPROVED
A	INITIAL RELEASE	06/14/17	J. QU



RECOMMENDED MOUNTING HOLE

DRAWN	P. CHEN	DATE	06/14/17
CHECKED	L. YANG	DATE	06/14/17
APPROVED	J. QU	DATE	06/14/17
UNLESS OTHERWISE SPECIFIED DIMENSIONS ARE IN MILLIMETERS. DIMENSIONS IN [ ] ARE IN INCHES FOR CUSTOMER REFERENCE ONLY UNLESS OTHERWISE SPECIFIED TOLERANCE ARE:		THESE DRAWINGS AND SPECIFICATIONS ARE THE PROPERTY OF ANOISON ELECTRONICS LTD AND SHOULD NOT BE USED WITHOUT WRITTEN PERMISSION COPYRIGHT © 2017 ANOISON ELECTRONICS LTD	
.XX	±0.13 [0.005"]		
.X	±0.20 [0.008"]		
X	±0.50 [0.019"]		
.X°	±1°		
X°	±2°		



TITLE			
ADAPTER N FEMALE TO BNC FEMALE PANEL MOUNT BULKHEAD			
VIEW		PART NO.	
		ANO 512-312-1410	
SIZE	SCALE	SHEET	REV.
A3	2.5:1	1/1	A