

MATERIAL & FINISH:

- 1 BODY: BRASS, NICKEL PLATED
- 2 OUTER CONTACT: BERYLLIUM COPPER ALLOY, NICKEL PLATED
- 3 CENTER CONTACT: BERYLLIUM COPPER ALLOY, GOLD PLATED
- 4 INSULATOR: PTFE
- 5 FASTENING NUT: BRASS, NICKEL PLATED
- 6 LOCK WASHER: PHOSPHOR BRONZE, NICKEL PLATED

ENVIRONMENTAL DATA:

- 1 TEMPERATURE RANGE: -55°C~+125°C
- 2 2011/65/EU(RoHS) AND 2015/863/(RoHS): COMPLIANT
- 3 1907/2006/EC(REACH): COMPLIANT

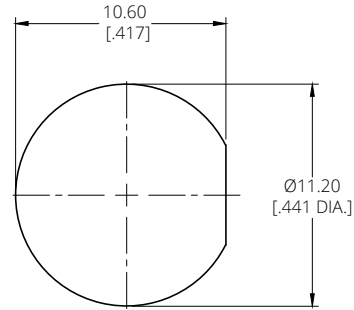
ELECTRICAL DATA:

- 1 IMPEDANCE: 50 Ω
- 2 FREQUENCY RANGE: DC~ 18 GHz
- 3 VSWR: 1.30 MAX.
- 4 INSERTION LOSS: 0.35 dB MAX.

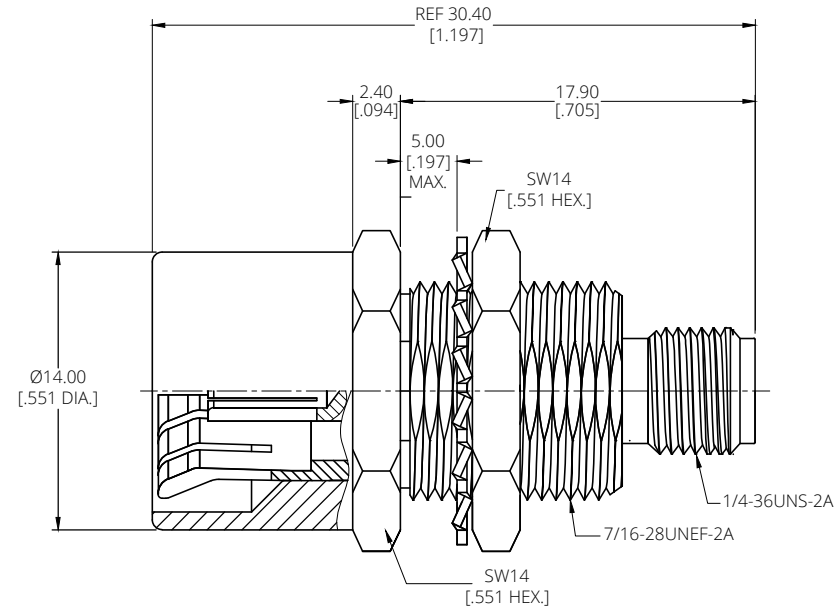
MECHANICAL DATA:

- 1 MATING CYCLE: 5000 MIN.

REVISIONS			
REV.	DESCRIPTION	DATE	APPROVED
A	INITIAL RELEASE	09/14/24	J. Q
B	ADAPTOR SHAPE CHANGED	10/18/24	J. Q
C	FREQUENCY 18GHz WAS 8 GHz MATING CYCLE 5000MIN. WAS 500MIN.	11/28/24	J. Q
D	ADDING INSERTION LOSS 0.35dB MAX.	12/02/24	J. Q



RECOMMENDED MOUNTING HOLE



DRAWN	Y. H	DATE	12/02/24
CHECKED	L. Y	DATE	12/02/24
APPROVED	J. Q	DATE	12/02/24
UNLESS OTHERWISE SPECIFIED DIMENSIONS ARE IN MILLIMETERS, DIMENSIONS IN [] ARE IN INCHES FOR CUSTOMER REFERENCE ONLY UNLESS OTHERWISE SPECIFIED TOLERANCE ARE:		THESE DRAWINGS AND SPECIFICATIONS ARE THE PROPERTY OF ANOISON ELECTRONICS LTD AND SHOULD NOT BE USED WITHOUT WRITTEN PERMISSION COPYRIGHT © 2024 ANOISON ELECTRONICS LTD	
XX	±0.13 [0.005"]		
X	±0.20 [0.008"]		
X	±0.50 [0.019"]		
X°	±1°		
X°	±2°		



TITLE			
ADAPTER, PUSH-ON N FEMALE TO SMA FEMALE BULKHEAD			
VIEW		PART NO.	
		ANO 512-212-1679	
SIZE	SCALE	SHEET	REV.
A3	4:1	1/1	D