

4 3 2 1

REVISIONS			
REV.	DESCRIPTION	DATE	APPROVED
A	INITIAL RELEASE	03/29/18	J. QU
B	DRAWING CHANGED	09/01/20	J. QU

**MATERIAL & FINISH:**

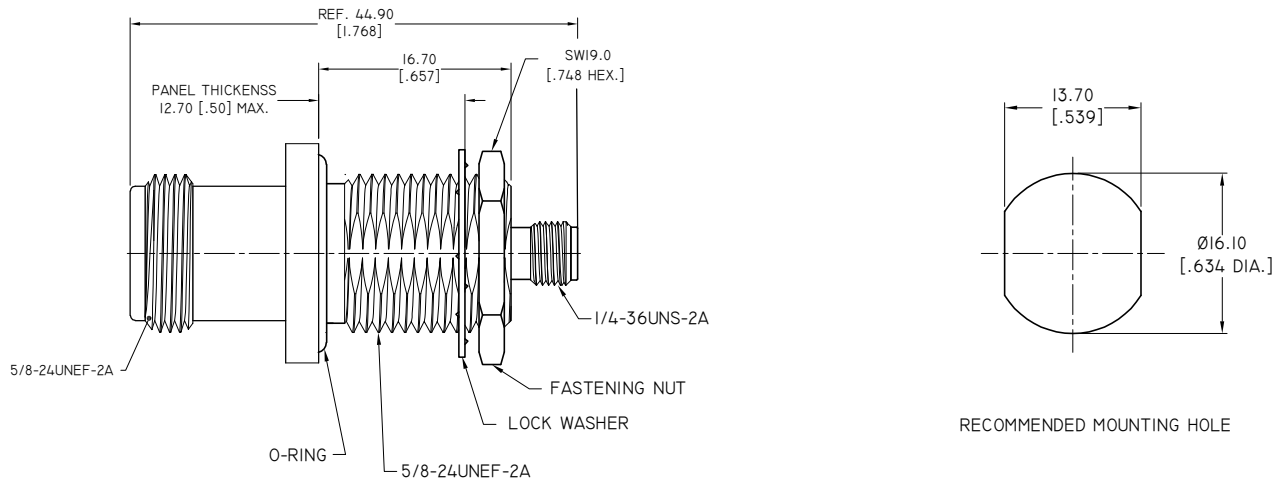
- 1 BODY: BRASS, NICKEL PLATED
- 2 CENTER CONTACT: BERYLLIUM COPPER ALLOY, GOLD PLATED
- 3 LOCK WASHER: PHOSPHOR BRONZE, NICKEL PLATED
- 4 FASTENING NUT: BRASS, NICKEL PLATED
- 5 INSULATOR: PTFE
- 6 O-RING: SILICONE RUBBER

**ELECTRICAL DATA:**

- 1 IMPEDANCE: 50 Ω
- 2 FREQUENCY RANGE: DC-18 GHz
- 3 VSWR: 1.25 MAX.

**ENVIRONMENTAL DATA:**

- 1 TEMPERATURE RANGE: -55°C~+165°C
- 2 2011/65/EU (RoHS): COMPLIANT
- 3 IP RATING ( UNMATED): IP67



**NOTES**

1. FASTENING NUT & LOCK WASHER AND O-RING SEPARATE PACKED

DRAWN	W. YANG	DATE	09/01/20
CHECKED	X. B. YANG	DATE	09/01/20
APPROVED	J. QU	DATE	09/01/20



TITLE  
ADAPTER, N STRAIGHT WATERPROOF  
BULKHEAD FEMALE TO SMA FEMALE

UNLESS OTHERWISE SPECIFIED DIMENSIONS ARE IN MILLIMETERS, DIMENSIONS IN [ ] ARE IN INCHES FOR CUSTOMER REFERENCE ONLY UNLESS OTHERWISE SPECIFIED TOLERANCE ARE:	THESE DRAWINGS AND SPECIFICATIONS ARE THE PROPERTY OF ANOISON ELECTRONICS LTD AND SHOULD NOT BE USED WITHOUT WRITTEN PERMISSION COPYRIGHT © 2020 ANOISON ELECTRONICS LTD
.XX ±0.13 [.005"]	
.X ±0.20 [.008"]	
X ±0.50 [.019"]	
X° ±1°	
X° ±2°	

VIEW	PART NO. ANO 512-212-1447		
	SIZE A3	SCALE 2:1	SHEET 1/1
	REV. B		

4 3 2 1