

4

3

2

1

MATERIAL & FINISH:

- 1 BODY: BRASS, NICKEL PLATED
- 2 CENTER CONTACT: BERYLLIUM COPPER ALLOY, GOLD PLATED
- 3 INSULATOR: PTFE

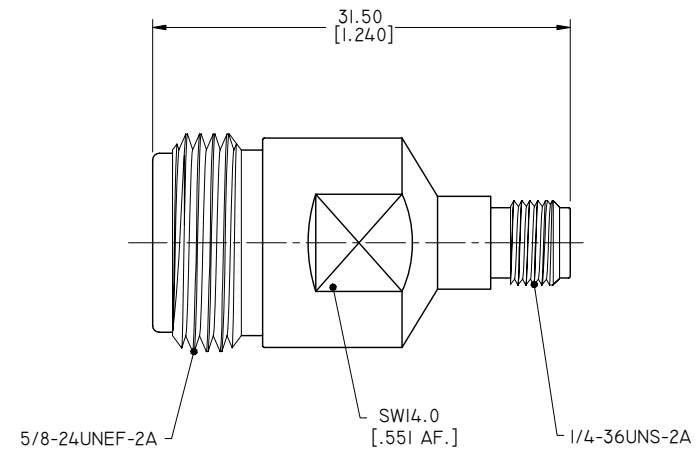
ELECTRICAL DATA:

- 1. IMPEDANCE: 50 Ω
- 2. FREQUENCY RANGE: DC~18 GHZ
- 3. VSWR: 1.30 MAX. AT DC~3 GHZ

ENVIRONMENTAL DATA:

- 1 TEMPERATURE RANGE: -55°C~+125°C
- 2 2011/65/EU (RoHS): COMPLIANT

REVISIONS			
REV.	DESCRIPTION	DATE	APPROVED
A	INITIAL RELEASE	10/30/15	J. QU
B	1. 35.70 [1.405] CHANGED TO 31.50 [1.240] 2. INSULATOR: PTFE & PEI CHANGED TO PTFE 3. BODY FINISH: ALBALOY CHANGED TO NICKEL	05/13/16	J. QU
C	VSWR CHANGED	05/13/16	J. QU
D	VSWR CHANGED	04/18/17	J. QU



DRAWN	X. B. YANG	DATE	04/18/17
CHECKED	L. YANG	DATE	04/18/17
APPROVED	J. QU	DATE	04/18/17
UNLESS OTHERWISE SPECIFIED DIMENSIONS ARE IN MILLIMETERS. DIMENSIONS IN [] ARE IN INCHES FOR CUSTOMER REFERENCE ONLY UNLESS OTHERWISE SPECIFIED TOLERANCE ARE:		THESE DRAWINGS AND SPECIFICATIONS ARE THE PROPERTY OF ANOISON ELECTRONICS LTD AND SHOULD NOT BE USED WITHOUT WRITTEN PERMISSION COPYRIGHT © 2017 ANOISON ELECTRONICS LTD	
.XX	±0.13 [.005"		
.X	±0.20 [.008"		
X	±0.50 [.019"		
.X°	±1°		
X°	±2°		



TITLE			
ADAPTER, N FEMALE TO SMA FEMALE			
VIEW		PART NO.	
		ANO 512-212-1193	
SIZE	SCALE	SHEET	REV.
A3	2.5:1	1/1	D

4

3

2

1