

MATERIAL & FINISH:

- 1 BODY: SEE TABLE
- 2 CENTER CONTACT: BERYLLIUM COPPER ALLOY, GOLD PLATED
- 3 INSULATOR: PTFE
- 4 O-RING: SILICONE RUBBER

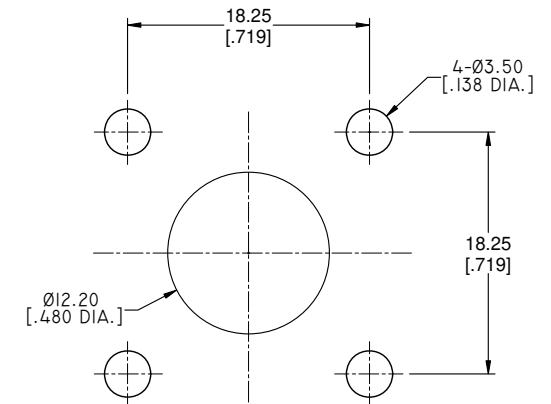
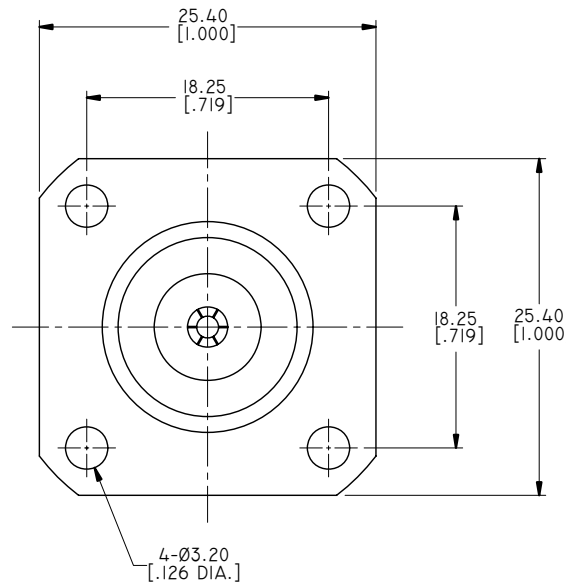
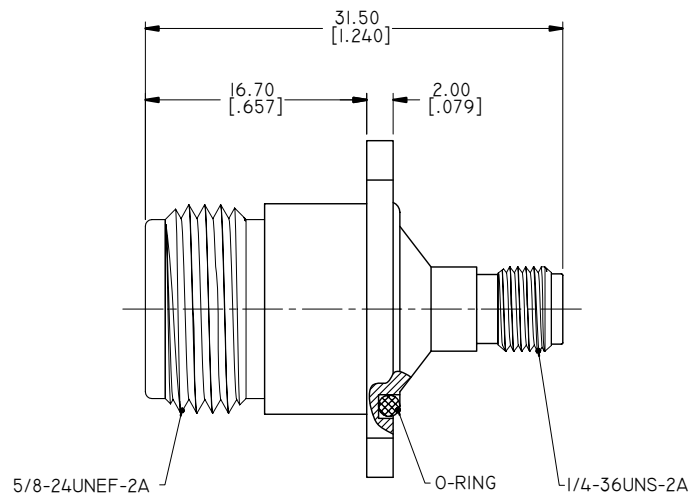
ENVIRONMENTAL DATA:

- 1 TEMPERATURE RANGE: -55°C~+125°C
- 2 2011/65/EU (RoHS): COMPLIANT
- 3 IP RATING (INTERFACE, MATED) IP67

ELECTRICAL DATA:

- 1 IMPEDANCE: 50 Ω
- 2 FREQUENCY RANGE: DC~18 GHZ
- 3 VSWR: 1.10 MAX. AT DC~3 GHZ
1.15 MAX. AT 3~6 GHZ
1.25 MAX. AT 6~11 GHZ
1.35 MAX. AT 11~18 GHZ

| REVISIONS | | | |
|-----------|-----------------|----------|----------|
| REV. | DESCRIPTION | DATE | APPROVED |
| A | INITIAL RELEASE | 07/26/12 | J. QU |
| B | VSWR CHANGED | 05/13/16 | J. QU |



RECOMMENDED MOUNTING HOLE
PANEL THICKNESS 5.0 [.197] MAX.

TABLE

| PART NO. | PART | MATERIAL | FINISH |
|--------------------|------|-----------------|------------|
| ANO 512-212-1186 | BODY | BRASS | NICKEL |
| ANO 512-212-1186-1 | | BRASS | ALBALOY |
| ANO 512-212-1186-2 | | STAINLESS STEEL | PASSIVATED |

| | | | |
|---|---------------|--|----------|
| DRAWN | X. B. YANG | DATE | 05/13/16 |
| CHECKED | L. YANG | DATE | 05/13/16 |
| APPROVED | J. QU | DATE | 05/13/16 |
| UNLESS OTHERWISE SPECIFIED DIMENSIONS ARE IN MILLIMETERS, DIMENSIONS IN [] ARE IN INCHES FOR CUSTOMER REFERENCE ONLY UNLESS OTHERWISE SPECIFIED TOLERANCE ARE: | | THESE DRAWINGS AND SPECIFICATIONS ARE THE PROPERTY OF ANOISON ELECTRONICS LTD AND SHOULD NOT BE USED WITHOUT WRITTEN PERMISSION COPYRIGHT © 2012 ANOISON ELECTRONICS LTD | |
| .XX | ±0.13 [.005"] | | |
| .X | ±0.20 [.008"] | | |
| X | ±0.50 [.019"] | | |
| .X° | ±1° | | |
| X° | ±2° | | |



TITLE
ADAPTER, N FEMALE TO SMA FEMALE WATERPROOF, 4 HOLE FLANGE

| | | | | |
|------|------------------------------|----------------|--------------|-----------|
| VIEW | PART NO. ANO 512-212-1186 | | | |
| | SIZE A3 | SCALE 2.5:1 | SHEET 1/1 | REV. B |