

MATERIAL & FINISH:

- 1 BODY: SEE TABLE
- 2 CENTER CONTACT: BERYLLIUM COPPER ALLOY, GOLD PLATED
- 3 INSULATOR: PTFE

ENVIRONMENTAL DATA:

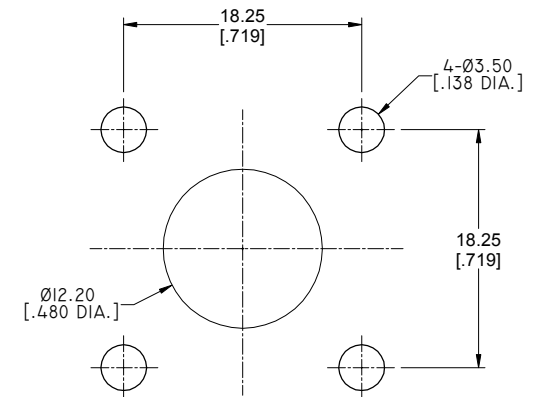
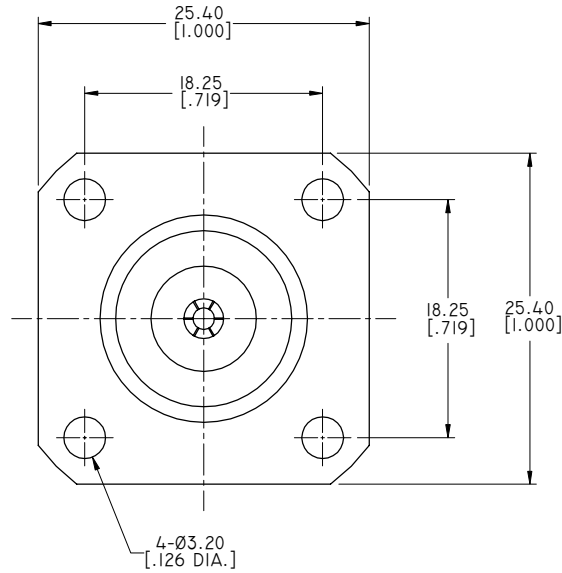
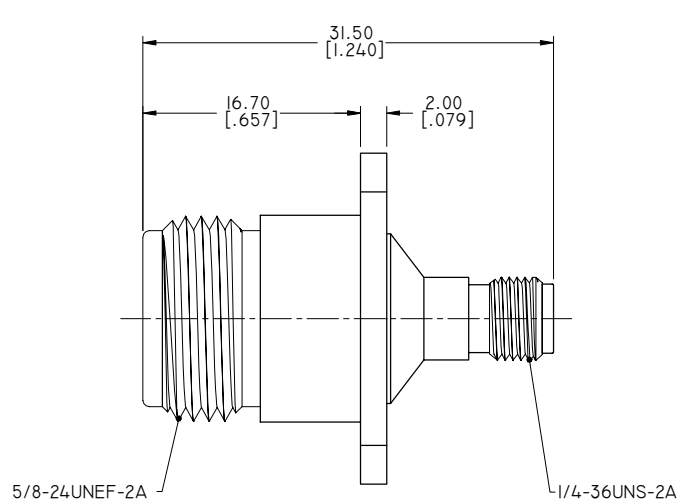
- 1 TEMPERATURE RANGE: -55°C~+125°C
- 2 2011/65/EU(RoHS) AND 2015/863/(RoHS): COMPLIANT
- 3 1907/2006/EC(REACH): COMPLIANT

ELECTRICAL DATA:

- 1 IMPEDANCE: 50 Ω
- 2 FREQUENCY RANGE: DC~18 GHZ
- 3 VSWR: 1.10 MAX. AT DC~3 GHZ
1.15 MAX. AT 3~6 GHZ
1.25 MAX. AT 6~11 GHZ
1.30 MAX. AT 11~18 GHZ

REVISIONS

REV.	DESCRIPTION	DATE	APPROVED
C	P/N CHANGED	10/19/15	J. QU
D	VSWR CHANGED	05/14/16	J. QU
E	VSWR CHANGED TO 1.30 AT 11~18 GHZ	11/02/20	J. QU



RECOMMENDED MOUNTING HOLE
PANEL THICKNESS 5.0 [.197] MAX.

TABLE

PART NO.	PART	MATERIAL	FINISH
ANO 512-212-III2	BODY	BRASS	NICKEL
ANO 512-212-III2-1		BRASS	ALBALOY
ANO 512-212-III2-2		STAINLESS STEEL	PASSIVATED

DRAWN	X. B. YANG	DATE	11/02/20
CHECKED	W. YANG	DATE	11/02/20
APPROVED	J. QU	DATE	11/02/20

UNLESS OTHERWISE SPECIFIED DIMENSIONS ARE IN MILLIMETERS, DIMENSIONS IN [] ARE IN INCHES FOR CUSTOMER REFERENCE ONLY UNLESS OTHERWISE SPECIFIED TOLERANCE ARE:

.XX	±0.13 [.005"]
.X	±0.20 [.008"]
X	±0.50 [.019"]
.X°	±1°
X°	±2°

THESE DRAWINGS AND SPECIFICATIONS ARE THE PROPERTY OF ANOISON ELECTRONICS LTD AND SHOULD NOT BE USED WITHOUT WRITTEN PERMISSION COPYRIGHT © 2020 ANOISON ELECTRONICS LTD



TITLE
ADAPTER, N FEMALE TO SMA FEMALE, 4 HOLE FLANGE

VIEW	PART NO. ANO 512-212-III2		
	SIZE A3	SCALE 2.5:1	SHEET 1/1
	REV. E		