

MATERIAL & FINISH:

- 1 BODY: BRASS, NICKEL PLATED
- 2 CENTER CONTACT: BERYLLIUM COPPER ALLOY, GOLD PLATED
- 3 INSULATOR: PTFE

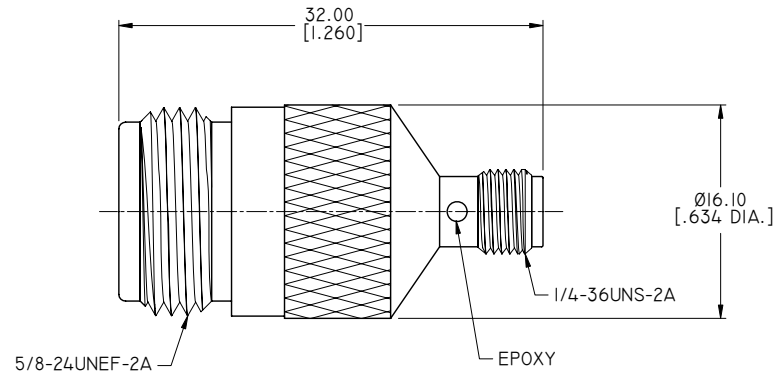
ELECTRICAL DATA:

- 1 IMPEDANCE: 50 Ω
- 2 FREQUENCY RANGE: DC~18 GHZ
- 3 VSWR: 1.10 MAX. AT DC~3 GHZ
1.20 MAX. AT 3~6 GHZ

ENVIRONMENTAL DATA:

- 1. TEMPERATURE RANGE: -40°C~+85°C
- 2. 2011/65/EU (RoHS): COMPLIANT

REVISIONS			
REV.	DESCRIPTION	DATE	APPROVED
A	INITIAL RELEASE	04/24/15	J. QU



DRAWN	X. B. YANG	DATE	04/24/15
CHECKED	P. CHEN	DATE	04/24/15
APPROVED	J. QU	DATE	04/24/15
UNLESS OTHERWISE SPECIFIED DIMENSIONS ARE IN MILLIMETERS, DIMENSIONS IN [] ARE IN INCHES FOR CUSTOMER REFERENCE ONLY UNLESS OTHERWISE SPECIFIED TOLERANCE ARE:		THESE DRAWINGS AND SPECIFICATIONS ARE THE PROPERTY OF ANOISON ELECTRONICS LTD AND SHOULD NOT BE USED WITHOUT WRITTEN PERMISSION COPYRIGHT © 2015 ANOISON ELECTRONICS LTD	
.XXX	±0.15 [0.006"]		
.XX	±0.25 [0.01"]		
.X	±0.50 [0.019"]		
.X°	±1°		
X°	±2°		



TITLE			
ADAPTER, N FEMALE TO SMA FEMALE			
VIEW	PART NO.		
	ANO 512-212-1025		
SIZE	SCALE	SHEET	REV.
A3	2.5:1	1/1	A