

MATERIAL & FINISH:

- 1 BODY: BRASS, NICKEL PLATED
- 2 CENTER CONTACT: BERYLLIUM COPPER ALLOY, GOLD PLATED
- 3 LOCK WASHER: PHOSPHOR BRONZE, NICKEL PLATED
- 4 FASTENING NUT: BRASS, NICKEL PLATED
- 5 INSULATOR: PTFE
- 6 O-RING: SILICONE RUBBER

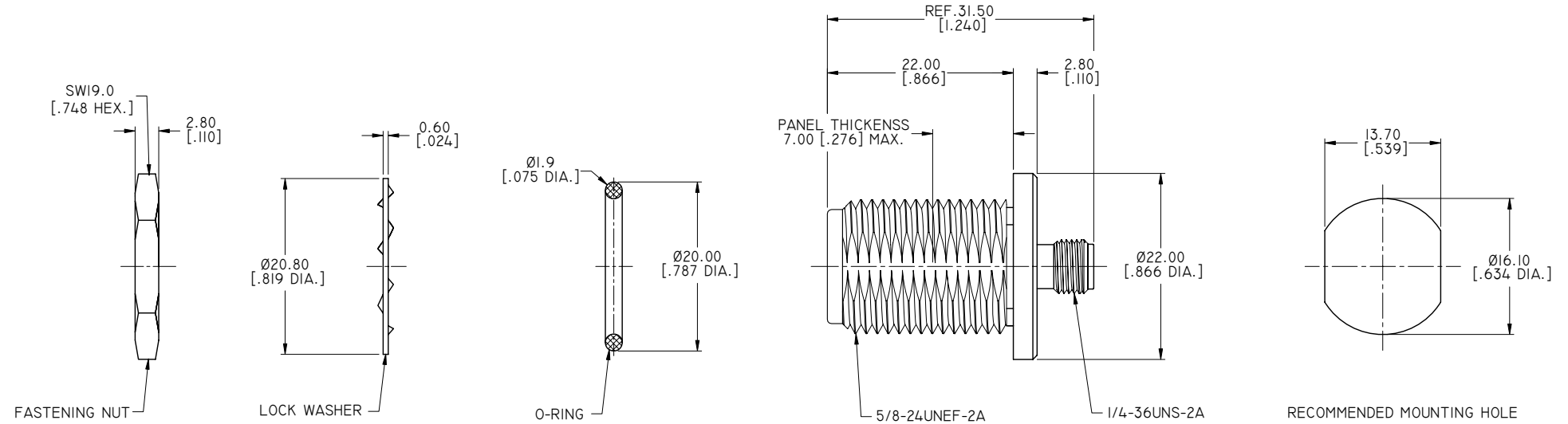
ELECTRICAL DATA:

- 1 IMPEDANCE: 50 Ω
- 2 FREQUENCY RANGE: DC~18 GHZ
- 3 VSWR: 1.10 MAX. AT DC~3 GHZ
1.15 MAX. AT 3~6 GHZ
1.25 MAX. AT 6~11 GHZ
1.35 MAX. AT 11~18 GHZ

ENVIRONMENTAL DATA:

- 1 TEMPERATURE RANGE: -55°C~+165°C
- 2 2011/65/EU (RoHS): COMPLIANT
- 3 IP RATING (BETWEEN CONNECTOR TO PANEL): IP67

REVISIONS			
REV.	DESCRIPTION	DATE	APPROVED
B	SCHEDULE AEEDE	07/21/11	J. QU
C	MATERIAL & FINISH CHANGED	05/05/12	J. QU
D	VSWR CHANGED	05/21/16	J. QU
E	IP RATING ADDED	03/23/18	J. QU



NOTES

I. FASTENING NUT & LOCK WASHER AND O-RING SEPARATE PACKED

DRAWN	X. B. YANG	DATE	03/23/18
CHECKED	W. YANG	DATE	03/23/18
APPROVED	J. QU	DATE	03/23/18
UNLESS OTHERWISE SPECIFIED DIMENSIONS ARE IN MILLIMETERS. DIMENSIONS IN [] ARE IN INCHES FOR CUSTOMER REFERENCE ONLY UNLESS OTHERWISE SPECIFIED TOLERANCE ARE:		THESE DRAWINGS AND SPECIFICATIONS ARE THE PROPERTY OF ANOISON ELECTRONICS LTD AND SHOULD NOT BE USED WITHOUT WRITTEN PERMISSION COPYRIGHT © 2018 ANOISON ELECTRONICS LTD	
.XX	±0.13 [.005"]		
.X	±0.20 [.008"]		
X	±0.50 [.019"]		
.X°	±1°		
X°	±2°		



TITLE			
ADAPTER, N STRAIGHT WATERPROOF BULKHEAD FEMALE TO SMA FEMALE			
VIEW		PART NO.	
		ANO 512-212-1003	
SIZE	SCALE	SHEET	REV.
A3	2:1	1/1	E