

4

3

2

1

## MATERIAL &amp; FINISH:

- 1 BODY: BRASS, ALBALOY PLATED
- 2 CENTER CONTACT: PHOSPHOR BRONZE, SILVER PLATED
- 3 RETAINING RING: BERYLLIUM COPPER ALLOY, UNPLATED
- 4 COUPLING NUT: BRASS, ALBALOY PLATED
- 5 INSULATOR: PTFE
- 6 GASKET: SILICONE RUBBER

## ENVIRONMENTAL DATA:

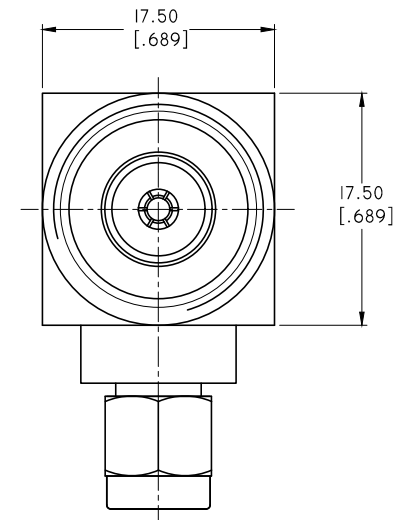
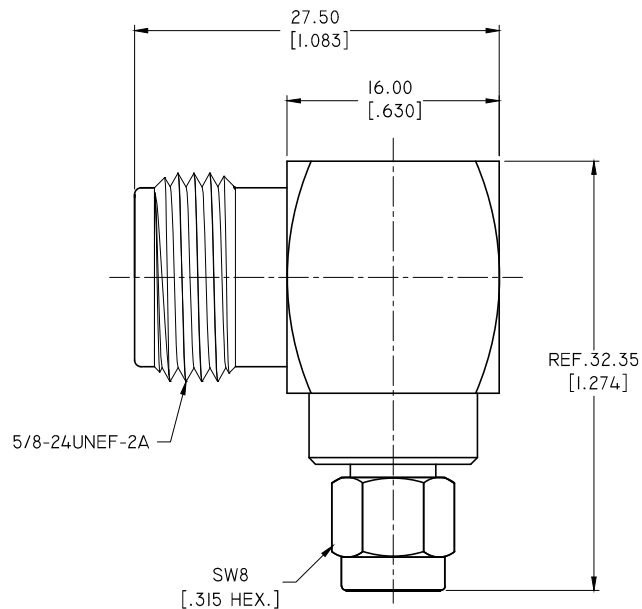
1. TEMPERATURE RANGE: -55°C~+125°C
2. 2011/65/EU ( RoHS): COMPLIANT

## ELECTRICAL DATA:

- 1 IMPEDANCE: 50 Ω
- 2 FREQUENCY RANGE: DC~9 GHZ
- 3 VSWR: 1.15 MAX.@ DC-6 GHZ  
1.25 MAX.@ DC-9 GHZ
- 4 INSERTION LOSS: 0.10 DB MAX. @ DC-6 GHZ  
0.15 DB MAX. @ DC-9 GHZ
- 5 INSULATION RES: 5000 MEGOHMS MAX.
- 6 DIELECTRIC WITHSTANDING VOLTAGE: 1000 V MAX.
- 7 PIM3: < -120 DBC(2X43 DBM) AT 0.4~4 GHZ

## REVISIONS

REV.	DESCRIPTION	DATE	APPROVED
A	INITIAL RELEASE	09/29/17	J. QU
B	CHANGED ELECTRICAL DATA	12/03/19	J. QU



DRAWN	X. B. YANG	DATE	12/03/19
CHECKED	W. YANG	DATE	12/03/19
APPROVED	J. QU	DATE	12/03/19
UNLESS OTHERWISE SPECIFIED DIMENSIONS ARE IN MILLIMETERS. DIMENSIONS IN [ ] ARE IN INCHES FOR CUSTOMER REFERENCE ONLY UNLESS OTHERWISE SPECIFIED TOLERANCE ARE:		THESE DRAWINGS AND SPECIFICATIONS ARE THE PROPERTY OF ANOISON ELECTRONICS LTD AND SHOULD NOT BE USED WITHOUT WRITTEN PERMISSION COPYRIGHT © 2017 ANOISON ELECTRONICS LTD	
.XXX	±0.15 [ .006"		
.XX	±0.25 [ .01"		
.X	±0.50 [ .019"		
.X°	±1°		
X°	±2°		



TITLE  
ADAPTER, RIGHT ANGLE, N FEMALE TO SMA MALE

VIEW



PART NO.

ANO 512-211-24-22

SIZE  
A3SCALE  
2.5:1SHEET  
1/1REV.  
B

4

3

2

1