

4

3

2

1

MATERIAL & FINISH:

- 1 BODY: STAINLESS STEEL, PASSIVATED
- 2 CENTER CONTACT: BERYLLIUM COPPER ALLOY, GOLD PLATED
- 3 COUPLING NUT: STAINLESS STEEL, PASSIVATED
- 4 RETAINING RING: BERYLLIUM COPPER ALLOY
- 5 INSULATOR: PTFE & PEI

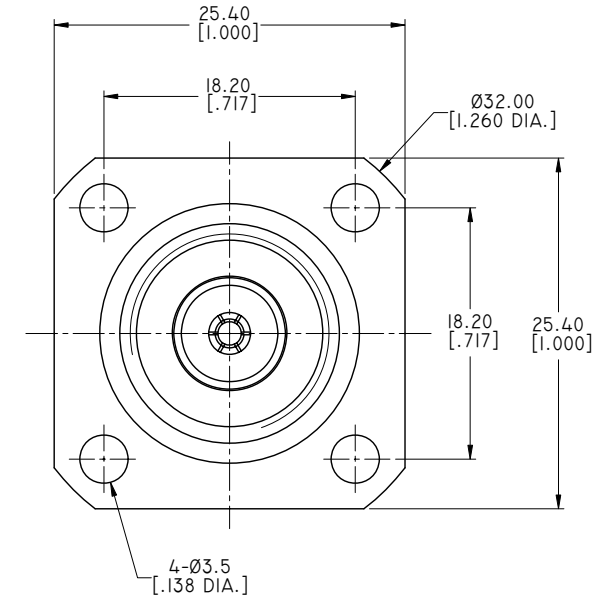
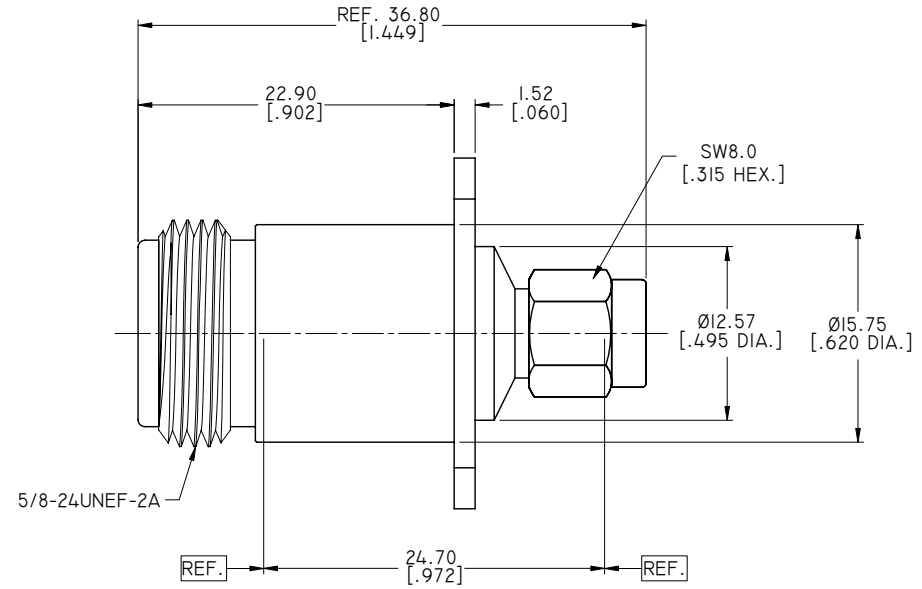
ELECTRICAL DATA:

- 1 IMPEDANCE: 50 Ω
- 2 FREQUENCY RANGE: DC~18 GHZ
- 3 VSWR: 1.15 MAX.
- 4 DIELECTRIC WITHSTANDING VOLTAGE: 1000 VRMS MIN.

ENVIRONMENTAL DATA:

- 1 TEMPERATURE RANGE: -65°C~+125°C
- 2 2011/65/EU (RoHS): COMPLIANT

REVISIONS			
REV.	DESCRIPTION	DATE	APPROVED
A	INITIAL RELEASE	02/02/18	J. QU



DRAWN	X. B. YANG	DATE	02/02/18
CHECKED	W. YANG	DATE	02/02/18
APPROVED	J. QU	DATE	02/02/18
UNLESS OTHERWISE SPECIFIED DIMENSIONS ARE IN MILLIMETERS. DIMENSIONS IN [] ARE IN INCHES FOR CUSTOMER REFERENCE ONLY UNLESS OTHERWISE SPECIFIED TOLERANCE ARE:		THESE DRAWINGS AND SPECIFICATIONS ARE THE PROPERTY OF ANOISON ELECTRONICS LTD AND SHOULD NOT BE USED WITHOUT WRITTEN PERMISSION COPYRIGHT © 2018 ANOISON ELECTRONICS LTD	
.XX	±0.13 [0.005"]		
.X	±0.20 [0.008"]		
X	±0.50 [0.019"]		
.X°	±1°		
X°	±2°		



TITLE			
ADAPTER, N FEMALE TO SMA MALE, 4 HOLE FLANGE			
VIEW		PART NO.	
		ANO 512-211-I442	
SIZE	SCALE	SHEET	REV.
A3	2.5:1	I/1	A

4

3

2

1