

4

3

2

1

MATERIAL & FINISH:

- 1 BODY: BRASS, SEE TABLE
- 2 CENTER CONTACT: PHOSPHOR BRONZE, SEE TABLE
- 3 COUPLING NUT: BRASS, SEE TABLE
- 4 RETAINING RING: BERYLLIUM COPPER ALLOY, UNPLATED
- 5 INSULATOR: PTFE
- 6 GASKET: SILICONE RUBBER

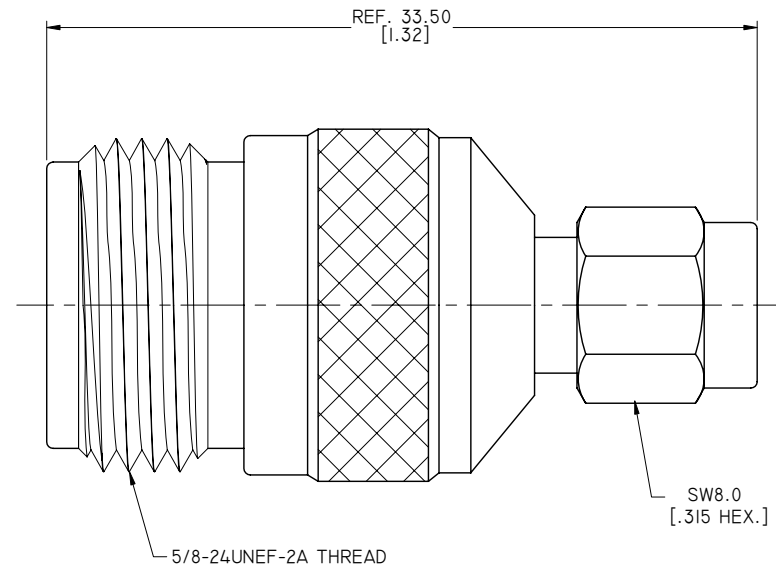
ELECTRICAL DATA:

- 1 IMPEDANCE: 50 Ω
- 2 FREQUENCY RANGE: DC~18 GHZ
- 3 VSWR: 1.10 MAX. AT DC~6 GHZ  
1.20 MAX. AT 6~11 GHZ  
1.25 MAX. AT 11~18 GHZ

ENVIRONMENTAL DATA:

- 1. TEMPERATURE RANGE: -55°C~+125°C
- 2. 2011/65/EU ( RoHS): COMPLIANT

REVISIONS			
REV.	DESCRIPTION	DATE	APPROVED
A	INITIAL RELEASE	04/03/13	J. QU
B	FREQUENCY RANGE CHANGED TO DC~6 GHZ	09/07/17	J. QU
C	FREQUENCY RANGE AND VSWR CHANGED	10/24/17	J. QU
D	PART NO. ADDED	11/13/17	J. QU



PART NUMBER	PART	FINISH
ANO 512-211-1257	BODY	NICKEL
	CENTER CONTACT	GOLD
	COUPLING NUT	NICKEL
ANO 512-211-1257-1	BODY	ALBALOY
	CENTER CONTACT	SILVER
	COUPLING NUT	ALBALOY

DRAWN	W. YANG	DATE	11/13/17
CHECKED	L. YANG	DATE	11/13/17
APPROVED	J. QU	DATE	11/13/17
UNLESS OTHERWISE SPECIFIED DIMENSIONS ARE IN MILLINETERS. DIMENSIONS IN [ ] ARE IN INCHES FOR CUSTOMER REFERENCE ONLY UNLESS OTHERWISE SPECIFIED TOLERANCE ARE:		THESE DRAWINGS AND SPECIFICATIONS ARE THE PROPERTY OF ANOISON ELECTRONICS LTD AND SHOULD NOT BE USED WITHOUT WRITTEN PERMISSION COPYRIGHT © 2017 ANOISON ELECTRONICS LTD	
.xxx	±0.15 [ .006"		
.xx	±0.25 [ .01"		
.x	±0.50 [ .019"		
.x°	±1°		
x°	±2°		



TITLE			
ADAPTER, N FEMALE TO SMA MALE			
VIEW	PART NO. ANO 512-211-1257		
	SIZE A3	SCALE 8:1	SHEET 1/1
			REV. D

4

3

2

1