

MATERIAL & FINISH

- 1 BODY: BRASS, NICKEL PLATED
- 2 CHAIN: BRASS, NICKEL PLATED
- 3 MOUNT LINK: BRASS, NICKEL PLATED
- 4 SPLIT RING: STEEL, ZINC PLATED

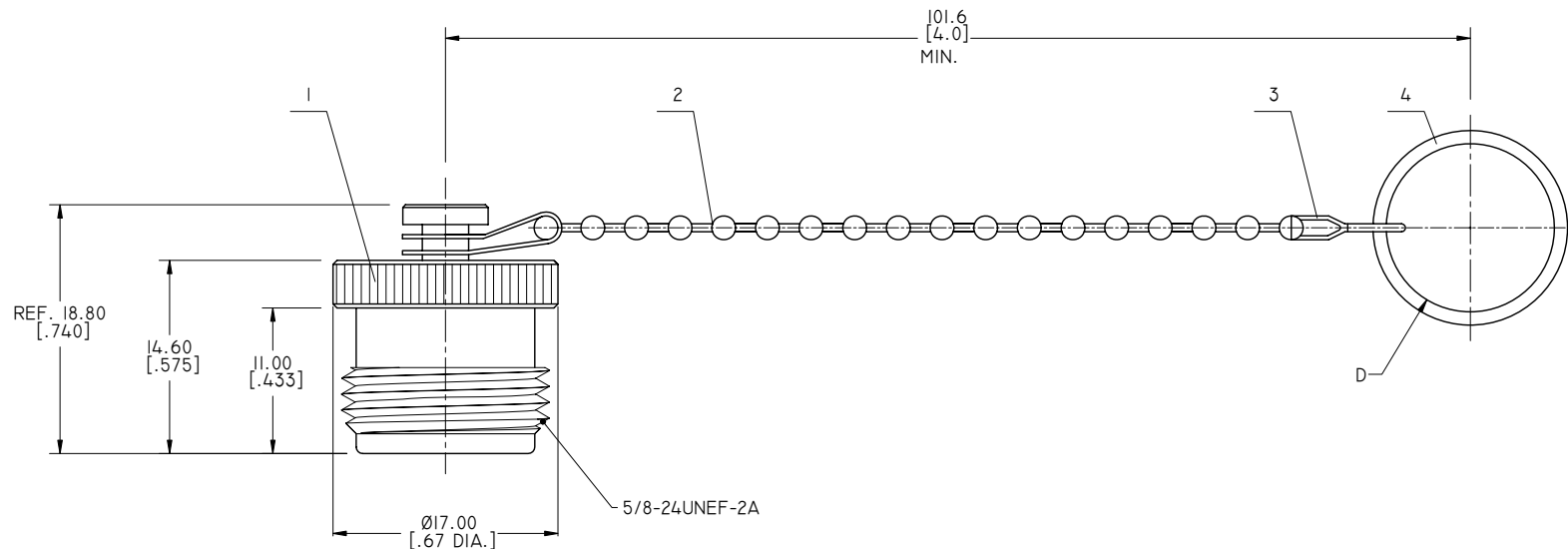
ENVIRONMENTAL DATA:

- 1 TEMPERATURE RANGE: -55°C~+125°C
- 2 2011/65/EU (RoHS): COMPLIANT

APPLICABLE STANDARDS:

- 1 N INTERFACE ACCORDING TO: IEC61169-16
- MIL-STD-348

REVISIONS			
REV.	DESCRIPTION	DATE	APPROVED
A	INITIAL RELEASE	04/08/16	J. QU



PART NO.	D
ANO 5112-6252	Ø12.70±0.25 [.50±.01 DIA.]
ANO 5112-6252-1	Ø23.88±0.25 [.94±.01 DIA.]

DRAWN	X. B. YANG	DATE	04/08/16
CHECKED	L. YANG	DATE	04/08/16
APPROVED	J. QU	DATE	04/08/16
UNLESS OTHERWISE SPECIFIED DIMENSIONS ARE IN MILLIMETERS. DIMENSIONS IN [ ] ARE IN INCHES FOR CUSTOMER REFERENCE ONLY UNLESS OTHERWISE SPECIFIED TOLERANCE ARE:		THESE DRAWINGS AND SPECIFICATIONS ARE THE PROPERTY OF ANOISON ELECTRONICS LTD AND SHOULD NOT BE USED WITHOUT WRITTEN PERMISSION COPYRIGHT © 2016 ANOISON ELECTRONICS LTD	
.XX	±0.13 [.005"]		
.X	±0.20 [.008"]		
X	±0.50 [.019"]		
.X°	±1°		
X°	±2°		



TITLE			
N CAP, FEMALE WITH CHAIN			
VIEW		PART NO.	
		ANO 5112-6252	
SIZE	SCALE	SHEET	REV.
A3	2.5:1	1/1	A