

MATERIAL & FINISH:

- 1 BODY: STAINLESS STEEL, PASSIVATED
- 2 CENTER CONTACT: PHOSPHOR BRONZE, GOLD PLATED

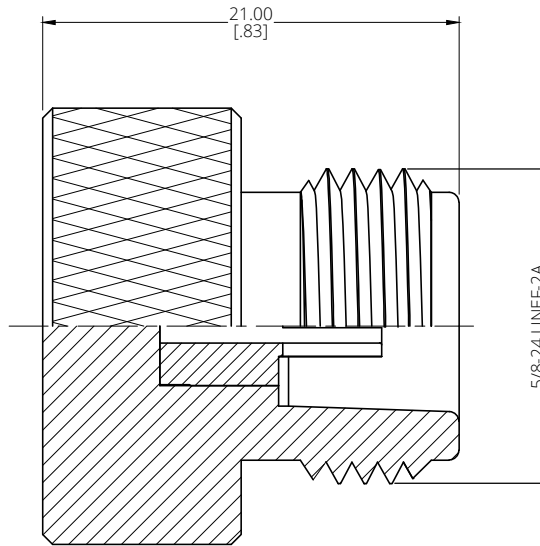
ENVIRONMENTAL DATA:

- 1 TEMPERATURE RANGE: -55°C~+125°C
- 2 2011/65/EU (RoHS): COMPLIANT

ELECTRICAL DATA:

- 1 IMPEDANCE: 50 Ω
- 2 FREQUENCY RANGE: DC~6 GHz
- 3 PHASE DEVIATION  $\leq \pm 1^\circ$

REVISIONS			
REV.	DESCRIPTION	DATE	APPROVED
A	INITIAL RELEASE	10/26/10	J. Q
B	FORMAT CHANGED BODY MATERIAL STAINLESS STEEL PASSIVATED WAS BRASS NICKEL PLATED CHANGED	11/15/24	J. Q
C	ELECTRICAL DATA CHANGED	11/20/24	J. Q



DRAWN	Y. H	DATE	11/20/24
CHECKED	P. C	DATE	11/20/24
APPROVED	J. Q	DATE	11/20/24
UNLESS OTHERWISE SPECIFIED DIMENSIONS ARE IN MILLIMETERS, DIMENSIONS IN [ ] ARE IN INCHES FOR CUSTOMER REFERENCE ONLY UNLESS OTHERWISE SPECIFIED TOLERANCE ARE:		THESE DRAWINGS AND SPECIFICATIONS ARE THE PROPERTY OF ANOISON ELECTRONICS LTD AND SHOULD NOT BE USED WITHOUT WRITTEN PERMISSION COPYRIGHT © 2024 ANOISON ELECTRONICS LTD	
.XX	±0.13 [ .005"]		
.X	±0.20 [ .008"]		
X	±0.50 [ .019"]		
X°	±1°		
X"	±2°		



TITLE			
SHORT CIRCUIT, N FEMALE			
VIEW		PART NO.	
		ANO 5112-6074	
SIZE	SCALE	SHEET	REV.
A3	4:1	1/1	C