

4

3

2

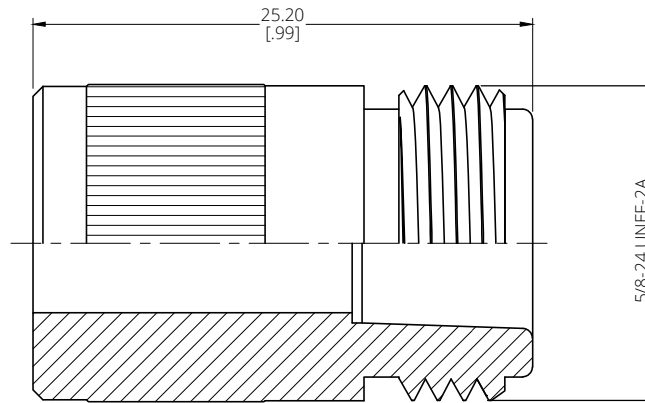
1

MATERIAL & FINISH:
 1 BODY: STAINLESS STEEL, PASSIVATED

ENVIRONMENTAL DATA:
 1 TEMPERATURE RANGE: -55°C~+125°C
 2 2011/65/EU (RoHS): COMPLIANT

ELECTRICAL DATA:
 1 IMPEDANCE: 50 Ω
 2 FREQUENCY RANGE: DC~6 GHz
 3 PHASE DEVIATION $\leq \pm 1^\circ$

REVISIONS			
REV.	DESCRIPTION	DATE	APPROVED
A	INITIAL RELEASE	02/06/12	J. Q
B	FORMAT CHANGED BODY MATERIAL STAINLESS STEEL PASSIVATD WAS BRASS NICKEL CHANGED	11/15/24	J. Q
C	ELECTRICAL DATA CHANGED	11/20/24	J. Q



DRAWN	Y. H	DATE	11/20/24
CHECKED	P. C	DATE	11/20/24
APPROVED	J. Q	DATE	11/20/24
UNLESS OTHERWISE SPECIFIED DIMENSIONS ARE IN MILLIMETERS, DIMENSIONS IN [] ARE IN INCHES FOR CUSTOMER REFERENCE ONLY UNLESS OTHERWISE SPECIFIED TOLERANCE ARE:		THESE DRAWINGS AND SPECIFICATIONS ARE THE PROPERTY OF ANOISON ELECTRONICS LTD AND SHOULD NOT BE USED WITHOUT WRITTEN PERMISSION COPYRIGHT © 2024 ANOISON ELECTRONICS LTD	
.XX	±0.13 [.005"]		
.X	±0.20 [.008"]		
X	±0.50 [.019"]		
X°	±1°		
X°	±2°		



TITLE			
OPEN CIRCUIT, N FEMALE			
VIEW		PART NO.	
		ANO 5112-6073	
SIZE	SCALE	SHEET	REV.
A3	4:1	1/1	C

4

3

2

1