

MATERIAL & FINISH:

- 1 BODY: BRASS, NICKEL PLATED
- 2 CENTER CONTACT: PHOSPHOR BRONZE, GOLD PLATED
- 3 INSULATOR: PTFE
- 4 FASTENING NUT: BRASS, NICKEL PLATED
- 5 LOCK WASHER: PHOSPHOR BRONZE, NICKEL PLATED
- 6 O-RING: SILICONE RUBBER

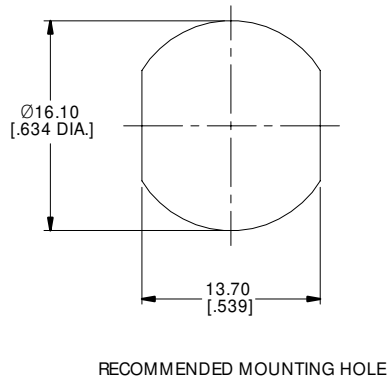
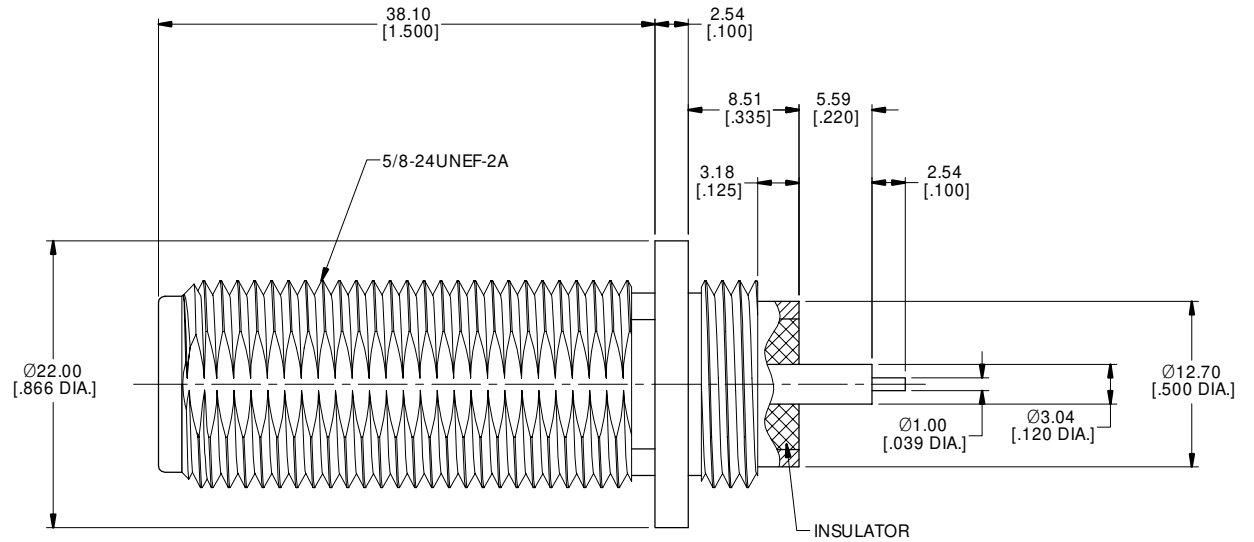
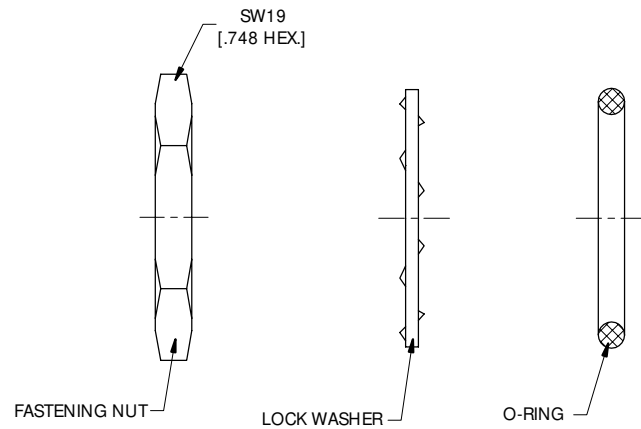
ELECTRICAL DATA:

- 1 IMPEDANCE: 50 Ω
- 2 FREQUENCY RANGE: DC~11 GHz

ENVIRONMENTAL DATA:

- 1 TEMPERATURE RANGE: -55°C~+165°C
- 2 2011/65/EU(RoHS) AND 2015/863/(RoHS): COMPLIANT
- 3 1907/2006/EC(REACH): COMPLIANT

REVISIONS			
REV.	DESCRIPTION	DATE	APPROVED
A	INITIAL RELEASE	03/08/21	J QU



NOETS:
FASTENING NUT, LOCK WASHER AND O-RING INDIVIDUALLY PACKED

DRAWN	X. B. YANG	DATE	03/08/21
CHECKED	W. YANG	DATE	03/08/21
APPROVED	J QU	DATE	03/08/21

UNLESS OTHERWISE SPECIFIED DIMENSIONS ARE IN MILLIMETERS. DIMENSIONS IN [] ARE IN INCHES FOR CUSTOMER REFERENCE ONLY UNLESS OTHERWISE SPECIFIED TOLERANCE ARE:

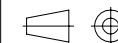
.xx	±0.13 [.005"]
.x	±0.20 [.008"]
X	±0.50 [.019"]
.x°	±1°
x°	±2°

THESE DRAWINGS AND SPECIFICATIONS ARE THE PROPERTY OF ANOISON ELECTRONICS LTD AND SHOULD NOT BE USED WITHOUT WRITTEN PERMISSION COPYRIGHT © 2021 ANOISON ELECTRONICS LTD



TITLE
N STRAIGHT FEMALE BULKHEAD WATERPROOF RECEPTACLE, FRONT MOUNT, POST CONTACT

VIEW



PART NO.

ANO 5112-5352

SIZE
A3

SCALE
5:1

SHEET
1/1

REV.
A