

MATERIAL & FINISH:

- 1 BODY: BRASS, NICKEL PLATED
- 2 CENTER CONTACT: PHOSPHOR BRONZE, GOLD PLATED
- 3 LOCK WASHER: PHOSPHOR BRONZE, NICKEL PLATED
- 4 FASTENING NUT: BRASS, NICKEL PLATED
- 5 INSULATOR: PTFE
- 6 O-RING: SILICONE RUBBER

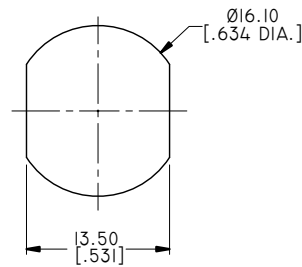
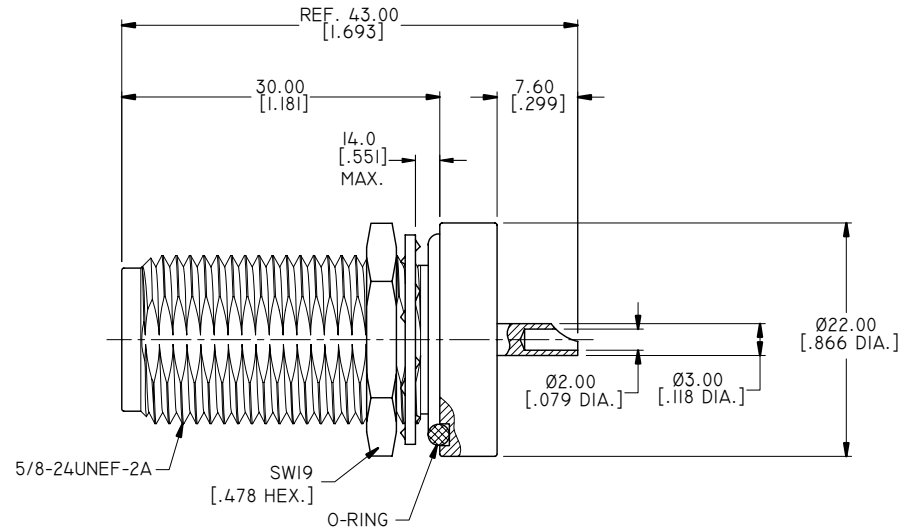
ELECTRICAL DATA:

- 1 IMPEDANCE: 50 Ω
- 2 FREQUENCY RANGE: DC~11 GHz

ENVIRONMENTAL DATA:

- 1 TEMPERATURE RANGE: -55°C~+125°C
- 2 2011/65/EU (RoHS): COMPLIANT

REVISIONS			
REV.	DESCRIPTION	DATE	APPROVED
A	INITIAL RELEASE	07/06/17	J. QU



RECOMMENDED MOUNTING HOLE

DRAWN	X. B. YANG	DATE	07/06/17
CHECKED	L. YANG	DATE	07/06/17
APPROVED	J. QU	DATE	07/06/17
UNLESS OTHERWISE SPECIFIED DIMENSIONS ARE IN MILLINMETERS. DIMENSIONS IN [ ] ARE IN INCHES FOR CUSTOMER REFERENCE ONLY UNLESS OTHERWISE SPECIFIED TOLERANCE ARE:		THESE DRAWINGS AND SPECIFICATIONS ARE THE PROPERTY OF ANOISON ELECTRONICS LTD AND SHOULD NOT BE USED WITHOUT WRITTEN PERMISSION COPYRIGHT © 2017 ANOISON ELECTRONICS LTD	
.XX	±0.13 [.005"]		
.X	±0.20 [.008"]		
X	±0.50 [.019"]		
.X°	±1°		
X°	±2°		



TITLE  
N STRAIGHT FEMALE  
WATERPROOF BULKHEAD WITH SOLDER POT CONTACT

VIEW	PART NO. ANO 5112-5013		
SIZE A3	SCALE 2:1	SHEET 1/1	REV. A