

4

3

2

1

REVISIONS

REV.	DESCRIPTION	DATE	APPROVED
A	INITIAL RELEASE	08/02/21	J. QU

1.0 MATERIAL & FINISH

- 1.1 BODY: BRASS COPPER, ALBALOY PLATED
 1.2 CENTER CONTACT: BERYLLIUM COPPER ALLOY, GOLD PLATED
 1.3 INSULATOR: PTFE

2.0 ENVIRONMENTAL DATA:

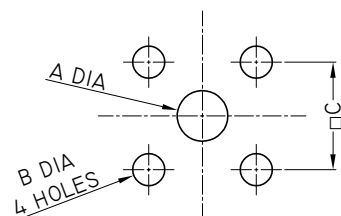
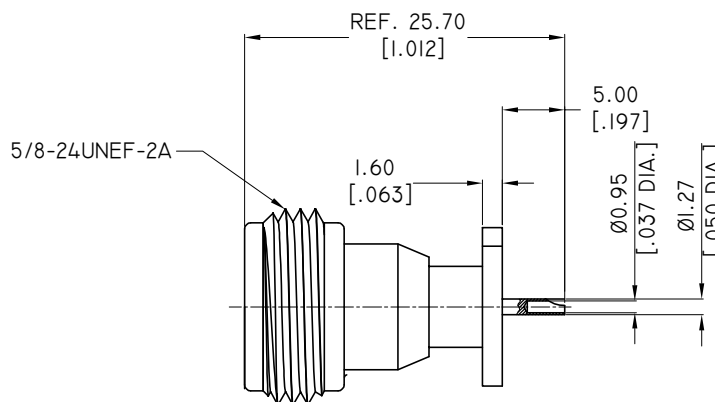
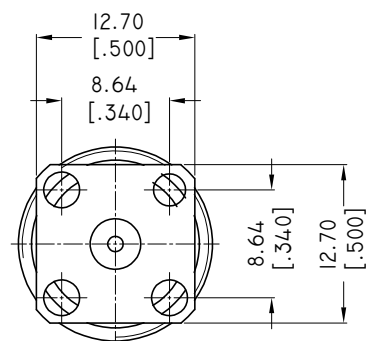
- 2.1 TEMPERATURE RANGE: -65°C~+155°C
 2.2 2011/65/EU (RoHS): COMPLIANT

3.0 ELECTRICAL DATA:

- 3.1 IMPEDANCE: 50 Ω
 3.2 FREQUENCY RANGE: DC~11GHZ
 3.3 VSWR: 1.18 MAX.
 3.4 INSERTION LOSS: 0.33 DB MAX.
 3.5 VOLTAGE RATING: 500V RMS (SEA LEVEL)
 3.6 INSULATION RESISTANCE: 5000MΩ
 3.7 DIELECTRIC WITHSTANDING VOLTAGE: 1000V

4.0 MECHANICAL DATA:

- 4.1 MECHANICAL DURABILITY: 500 CYCLES MIN.
 4.2 CENTER CONTACT RETENTION:
 AXIAL FORCE--MATING ENGD: 27 N MIN.
 AXIAL FORCE--OPPOSITE ENGD: 27 N MIN.
 TORQUE: 2.8 N.CM MIN.



RECOMMENDED MOUNTIONG HOLE

	MAX.	MIN.
A	4.2 [.165]	4.1 [.161]
B	2.7 [.106]	2.6 [.102]
C	8.69 [.342]	8.59 [.338]

DRAWN	W. YANG	DATE	08/02/21
CHECKED	X. B. YANG	DATE	08/02/21
APPROVED	J. QU	DATE	08/02/21
UNLESS OTHERWISE SPECIFIED DIMENSIONS ARE IN MILLIMETERS, DIMENSIONS IN [] ARE IN INCHES FOR CUSTOMER REFERENCE ONLY UNLESS OTHERWISE SPECIFIED TOLERANCE ARE:		THESE DRAWINGS AND SPECIFICATIONS ARE THE PROPERTY OF ANOISON ELECTRONICS LTD AND SHOULD NOT BE USED WITHOUT WRITTEN PERMISSION COPYRIGHT © 2021 ANOISON ELECTRONICS LTD	
.XX	±0.13 [.005"]		
.X	±0.20 [.008"]		
X	±0.50 [.019"]		
.X°	±1°		
X°	±2°		

TITLE
 N 1/2 INCH SQUARE 4 HOLE FLANGE JACK RECEPTACLE WITH SOLDER POT CONTACT

VIEW

PART NO.
ANO 5112-3358

SIZE	SCALE	SHEET	REV.
A3	2.5:1	I/I	A

4

3

2

1