

4

3

2

1

**MATERIAL & FINISH:**

- 1 BODY: STAINLESS STEEL, PASSIVATED
- 2 CENTER CONTACT: PHOSPHOR BRONZE, GOLD PLATED
- 3 INSULATOR: PTFE

**ENVIRONMENTAL DATA:**

- 1 TEMPERATURE RANGE: -55 °C~+125 °C
- 2 2011/65/EU(RoHS) AND 2015/863/(RoHS): COMPLIANT
- 3 1907/2006/EC(REACH): COMPLIANT

**ELECTRICAL DATA:**

- 1 IMPEDANCE: 50 Ω
- 2 FREQUENCY RANGE: DC~11 GHz
- 3 VOLTAGE RATING: 1000 V RMS(SEA LEVEL)
- 4 DWV: 2500 V RMS @ 60 HZ(SEA LEVEL)

REVISIONS

REV.	DESCRIPTION	DATE	APPROVED
A	INITIAL RELEASE	04/17/20	J. QU

D

C

B

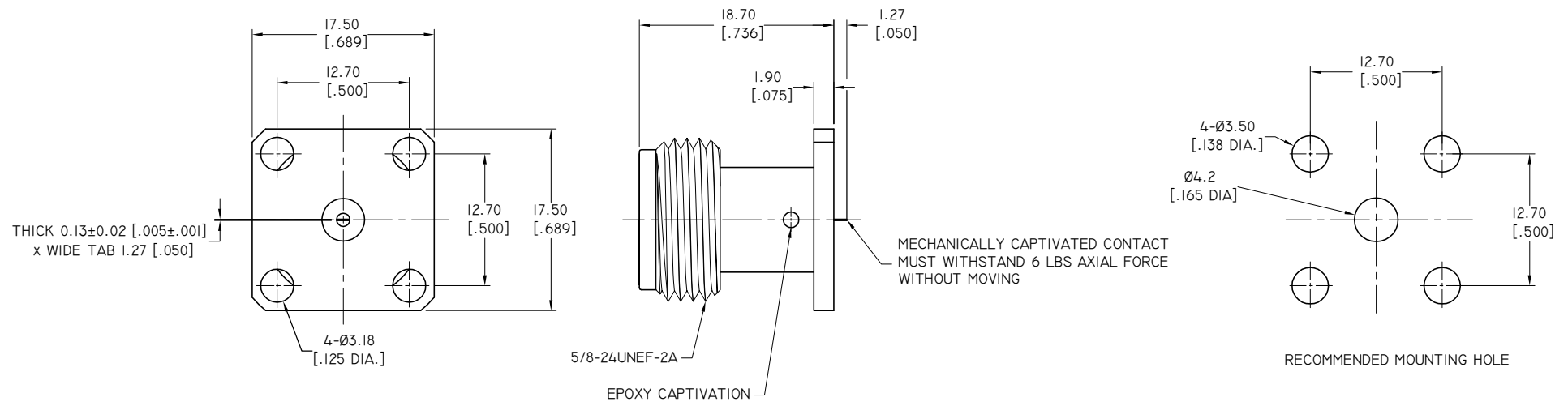
A

D

C

B

A



MECHANICALLY CAPTIVATED CONTACT MUST WITHSTAND 6 LBS AXIAL FORCE WITHOUT MOVING

RECOMMENDED MOUNTING HOLE

DRAWN	X. B. YANG	DATE	04/17/20
CHECKED	W. YANG	DATE	04/17/20
APPROVED	J. QU	DATE	04/17/20
UNLESS OTHERWISE SPECIFIED DIMENSIONS ARE IN MILLINETERS, DIMENSIONS IN [ ] ARE IN INCHES FOR CUSTOMER REFERENCE ONLY UNLESS OTHERWISE SPECIFIED TOLERANCE ARE:		THESE DRAWINGS AND SPECIFICATIONS ARE THE PROPERTY OF ANOISON ELECTRONICS LTD AND SHOULD NOT BE USED WITHOUT WRITTEN PERMISSION COPYRIGHT © 2020 ANOISON ELECTRONICS LTD	
.XX	±0.13 [.005"]		
.X	±0.20 [.008"]		
X	±0.50 [.019"]		
.X°	±1°		
X°	±2°		



TITLE  
**N FEMALE 4 HOLE .689 SQUARE FLANGE RECEPTACLE  
 .005 THICK TAB CONTACT**

VIEW	PART NO. ANO 5112-3340			
	SIZE	SCALE	SHEET	REV.
	A3	2.5:1	1/1	A

4

3

2

1