

**MATERIAL & FINISH:**

- 1 BODY: BRASS, ALBALOY PLATED
- 2 CENTER CONTACT: PHOSPHOR BRONZE, GOLD PLATED
- 3 INSULATOR: PTFE

**ENVIRONMENTAL DATA:**

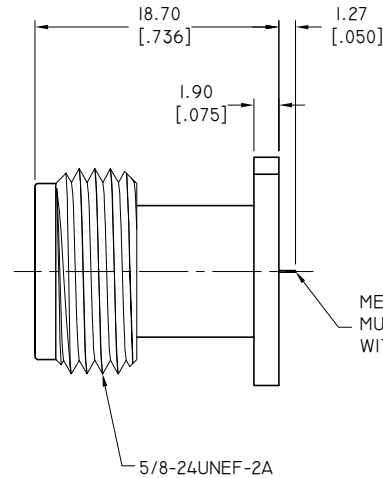
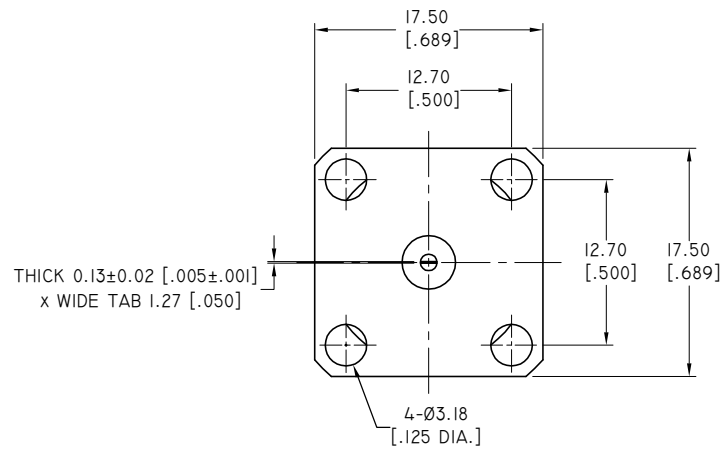
- 1 TEMPERATURE RANGE: -65 °C~+165 °C
- 2 2011/65/EU(RoHS) AND 2015/863/(RoHS): COMPLIANT
- 3 1907/2006/EC(REACH): COMPLIANT

**ELECTRICAL DATA:**

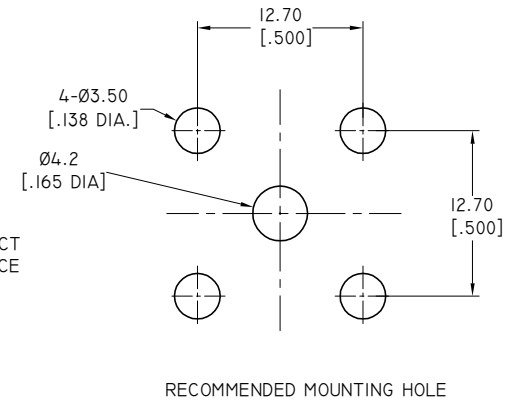
- 1 IMPEDANCE: 50 Ω
- 2 FREQUENCY RANGE: DC-II GHZ
- 3 VOLTAGE RATING: 1000 V RMS(SEA LEVEL)
- 4 DWV: 2500 V RMS @ 60 HZ(SEA LEVEL)

REVISIONS

REV.	DESCRIPTION	DATE	APPROVED
A	INITIAL RELEASE	04/01/20	J. QU



MECHANICALLY CAPTIVATED CONTACT  
MUST WITHSTAND 6 LBS AXIAL FORCE  
WITHOUT MOVING



RECOMMENDED MOUNTING HOLE

DRAWN	X. B. YANG	DATE	04/01/20	
CHECKED	W. YANG	DATE	04/01/20	
APPROVED	J. QU	DATE	04/01/20	
<small>UNLESS OTHERWISE SPECIFIED DIMENSIONS ARE IN MILLINETERS, DIMENSIONS IN [ ] ARE IN INCHES FOR CUSTOMER REFERENCE ONLY UNLESS OTHERWISE SPECIFIED TOLERANCE ARE:</small>		<small>THESE DRAWINGS AND SPECIFICATIONS ARE THE PROPERTY OF ANOISON ELECTRONICS LTD AND SHOULD NOT BE USED WITHOUT WRITTEN PERMISSION COPYRIGHT © 2020 ANOISON ELECTRONICS LTD</small>		<b>TITLE</b> N FEMALE 4 HOLE .689 SQUARE FLANGE RECEPTACLE .005 THICK TAB CONTACT
<small>.XX ±0.13 [.005"] .X ±0.20 [.008"] X ±0.50 [.019"] .X° ±1° X° ±2°</small>		<b>VIEW</b> 	<b>PART NO.</b> ANO 5112-3339	<b>SIZE</b> A3 <b>SCALE</b> 2.5:1 <b>SHEET</b> 1/1 <b>REV.</b> A