

4

3

2

1

1.0 MATERIAL & FINISH

- 1.1 BODY: STAINLESS STEEL, PASSIVATED
 1.2 CENTER CONTACT: BERYLLIUM COPPER, GOLD PLATED
 1.3 INSULATOR: PTFE

2.0 ENVIRONMENTAL DATA:

- 2.1 TEMPERATURE RANGE: -40°C~+85°C
 2.2 2011/65/EU (RoHS): COMPLIANT

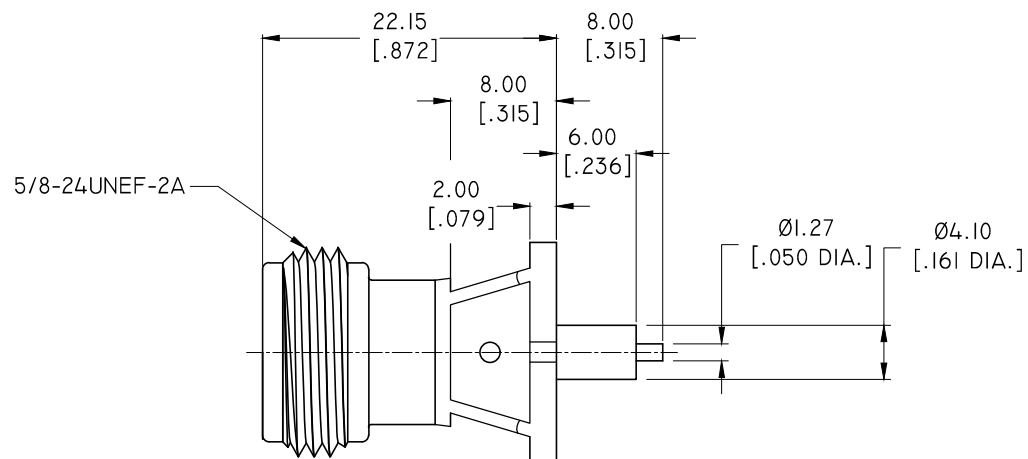
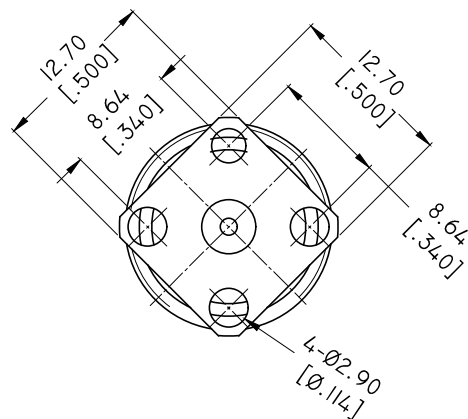
3.0 ELECTRICAL DATA:

- 3.1 IMPEDANCE: 50 Ω
 3.2 FREQUENCY RANGE: DC~18GHz
 3.3 VOLTAGE RATING: 1000V RMS (SEA LEVEL)
 3.4 INSULATION RESISTANCE: 5000MΩ

4.0 MECHANICAL DATA:

- 4.1 MECHANICAL DURABILITY: 500 CYCLES MIN.

REVISIONS			
REV.	DESCRIPTION	DATE	APPROVED
A	INITIAL RELEASE	01/21/19	J. QU

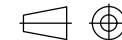


DRAWN	W. YANG	DATE	01/21/19
CHECKED	X. B. YANG	DATE	01/21/19
APPROVED	J. QU	DATE	01/21/19
UNLESS OTHERWISE SPECIFIED DIMENSIONS ARE IN MILLIMETERS. DIMENSIONS IN [] ARE IN INCHES FOR CUSTOMER REFERENCE ONLY UNLESS OTHERWISE SPECIFIED TOLERANCE ARE:		THESE DRAWINGS AND SPECIFICATIONS ARE THE PROPERTY OF ANOISON ELECTRONICS LTD AND SHOULD NOT BE USED WITHOUT WRITTEN PERMISSION COPYRIGHT © 2019 ANOISON ELECTRONICS LTD	
.XX	+0.13 [0.005"]		
.X	+0.20 [0.008"]		
X	+0.50 [0.019"]		
.X°	±1°		
X°	+2°		



TITLE
 N 1/2 INCH SQUARE 4 HOLE FLANGE JACK RECEPTACLE

VIEW
 PART NO.
 ANO 5112-3319



SIZE	SCALE	SHEET	REV.
A3	2.5:1	1/1	A

4

3

2

1