

4

3

2

1

## 1.0 MATERIAL &amp; FINISH

- 1.1 BODY: STAINLESS STEEL, PASSIVATED  
 1.2 CENTER CONTACT: BERYLLIUM COPPER ALLOY, GLOD PLATED  
 1.3 INSULATOR: PTFE & PEI

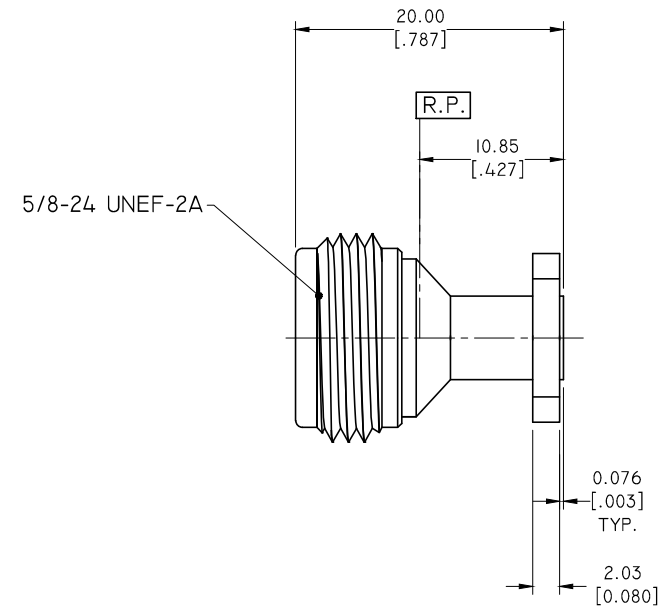
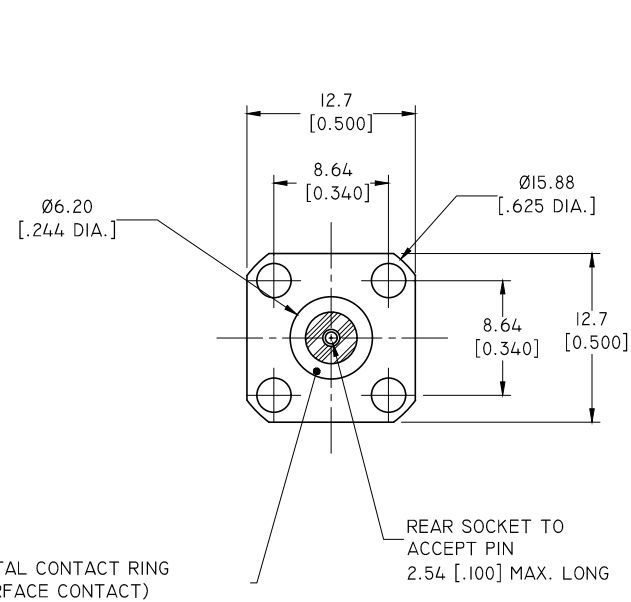
## 2.0 ENVIRONMENTAL DATA:

- 2.1 TEMPERATURE RANGE: -55°C~+165°C  
 2.2 2011/65/EU (RoHS): COMPLIANT

## 3.0 ELECTRICAL DATA:

- 3.1 IMPEDANCE: 50 OHMS  
 3.2 FREQUENCY RANGE: DC~18 GHZ  
 3.3 VSWR: 1.15 MAX.

REVISIONS			
REV.	DESCRIPTION	DATE	APPROVED
A	INITIAL RELEASE	08/24/16	J. QU
B	LENGTH CHANGED	04/08/18	J. QU

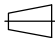



PART NO.	D
ANO 5112-3261-1	Ø0.91 [.036 DIA.]
ANO 5112-3261-2	Ø0.51 [.020 DIA.]
ANO 5112-3261-3	Ø0.46 [.018 DIA.]
ANO 5112-3261-4	Ø0.38 [.015 DIA.]

DRAWN	W. YANG	DATE	04/08/18
CHECKED	L. YANG	DATE	04/08/18
APPROVED	J. QU	DATE	04/08/18
UNLESS OTHERWISE SPECIFIED DIMENSIONS ARE IN MILLIMETERS. DIMENSIONS IN [ ] ARE IN INCHES FOR CUSTOMER REFERENCE ONLY UNLESS OTHERWISE SPECIFIED TOLERANCE ARE:		THESE DRAWINGS AND SPECIFICATIONS ARE THE PROPERTY OF ANOISON ELECTRONICS LTD AND SHOULD NOT BE USED WITHOUT WRITTEN PERMISSION COPYRIGHT © 2018 ANOISON ELECTRONICS LTD	
.XX	±0.13 [.005"]		
.X	±0.20 [.008"]		
X	±0.50 [.019"]		
.X°	±1°		
X°	±2°		



TITLE  
 N-TYPE JACK 4 HOLE .500" SQ FLANGE,  
 FIELD REPLACEABLE

VIEW	PART NO. ANO 5112-3261		
 	SIZE A3	SCALE 2.5:1	SHEET 1/1
			REV. B

4

3

2

1