

MATERIAL & FINISH:

- 1 BODY: BRASS, ALBALOY PLATED
- 2 CENTER CONTACT: BERYLLIUM COPPER ALLOY, SILVER PLATED
- 3 INSULATOR: PTFE
- 4 GASKET: SILICONE RUBBER

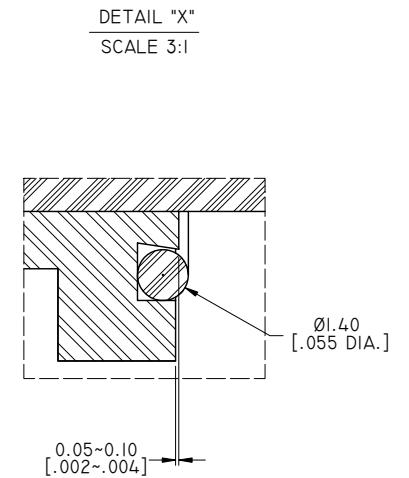
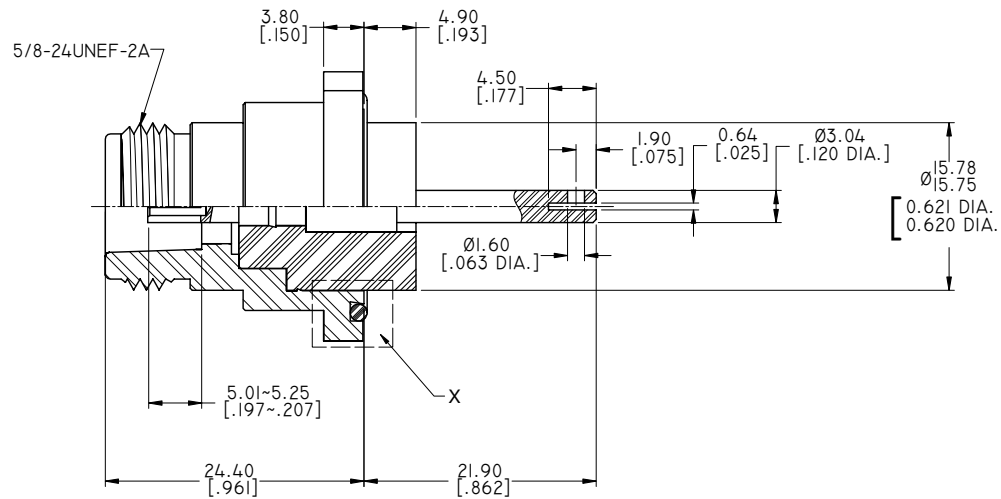
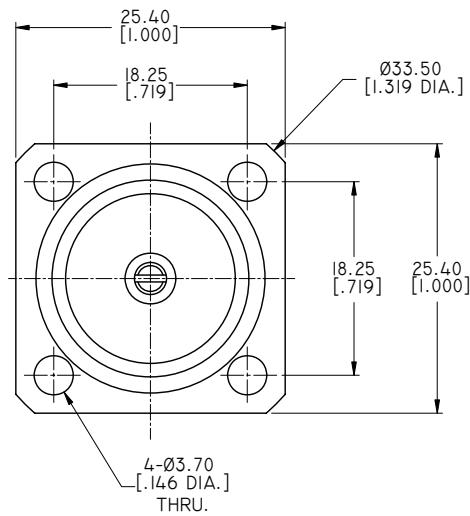
ENVIRONMENTAL DATA:

- 1 TEMPERATURE RANGE: -65°C~+165°C
- 2 2011/65/EU (RoHS): COMPLIANT

ELECTRICAL DATA:

- 1 IMPEDANCE: 50 Ω
- 2 FREQUENCY RANGE: DC~11 GHZ
- 3 VSWR: 1.15 MAX. AT DC~6 GHZ

REVISIONS			
REV.	DESCRIPTION	DATE	APPROVED
B	DIMENSION CHANGES	02/01/16	J. QU
C	CENTER CONTACT MATERIAL CHANGED TO BERYLLIUM COPPER ALLOY	03/14/17	J. QU
D	O-RING DIMENSION Ø1.60 [.063 DIA.] CHANGED TO Ø1.40 [.055 DIA.]	06/20/18	J. QU



DRAWN	L. YANG	DATE	06/20/18
CHECKED	P. CHEN	DATE	06/20/18
APPROVED	J. QU	DATE	06/20/18
UNLESS OTHERWISE SPECIFIED DIMENSIONS ARE IN MILLINMETERS. DIMENSIONS IN [] ARE IN INCHES FOR CUSTOMER REFERENCE ONLY UNLESS OTHERWISE SPECIFIED TOLERANCE ARE:		THESE DRAWINGS AND SPECIFICATIONS ARE THE PROPERTY OF ANOISON ELECTRONICS LTD AND SHOULD NOT BE USED WITHOUT WRITTEN PERMISSION COPYRIGHT © 2018 ANOISON ELECTRONICS LTD	
.XX	±0.13 [.005"]		
.X	±0.20 [.008"]		
X	±0.50 [.019"]		
.X°	±1°		
X°	±2°		



TITLE
N STRAIGHT FEMALE 4 HOLE FLANGE RECEPTACLE
SLOTTED CONTACT

VIEW	PART NO. ANO 5112-3241						
SIZE	A3	SCALE	4:1	SHEET	I/1	REV.	D