

4

3

2

1

MATERIAL & FINISH

- 1 BODY: STAINLESS STEEL, PASSIVATED
- 2 CENTER CONTACT: BERYLLIUM COPPER ALLOY, GLOD PLATED
- 3 INSULATOR: PTFE & PEI

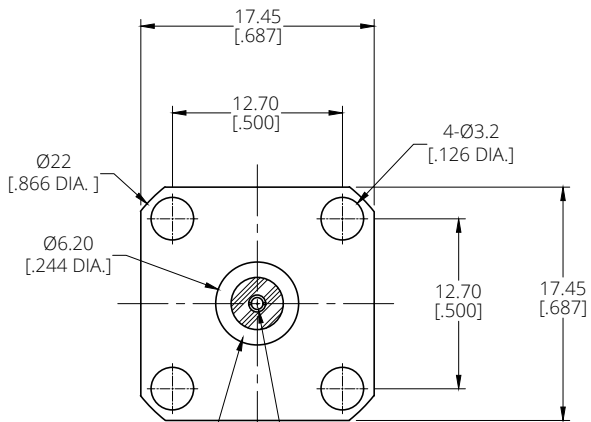
ELECTRICAL DATA:

- 1 IMPEDANCE: 50 Ω
- 2 FREQUENCY RANGE: DC~18 GHz
- 3 VSWR: 1.15 MAX.

ENVIRONMENTAL DATA:

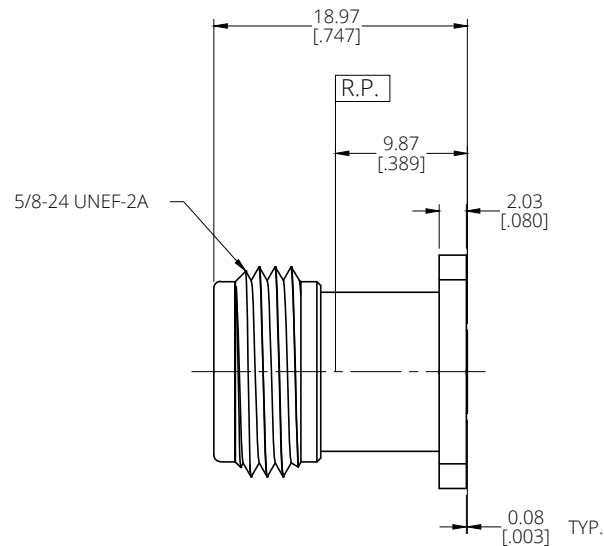
- 1 TEMPERATURE RANGE: -55°C~+165°C
- 2 2011/65/EU(RoHS) AND 2015/863/(RoHS): COMPLIANT
- 3 1907/2006/EC(REACH) AND 1999/45/EC(REACH): COMPLIANT

REVISIONS			
REV.	DESCRIPTION	DATE	APPROVED
A	INITIAL RELEASE	10/31/15	J. Q
B	Ø7.37 [.290 DIA.] ADDED	11/16/15	J. Q
C	1. 18.97 [.747] WAS 18.8 [.740] 2. Ø6.20 [.244 DIA.] WAS Ø7.37 [.290 DIA.]	07/31/19	J. Q
D	CHANGED Ø22[.866 DIA] WAS Ø22.23[.875 DIA.]	02/11/26	J. Q



RAISED METAL CONTACT RING (360° SURFACE CONTACT)

REAR SOCKET TO ACCEPT PIN 2.54 [.100] MAX. LONG



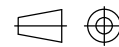
PART NO.	D
ANO 5112-3234-1	Ø0.91 [.036 DIA.]
ANO 5112-3234-2	Ø0.51 [.020 DIA.]
ANO 5112-3234-3	Ø0.46 [.018 DIA.]
ANO 5112-3234-4	Ø0.38 [.015 DIA.]

DRAWN	Y. H	DATE	02/11/26
CHECKED	X. Y	DATE	02/11/26
APPROVED	J. Q	DATE	02/11/26
UNLESS OTHERWISE SPECIFIED DIMENSIONS ARE IN MILLINMETERS, DIMENSIONS IN [] ARE IN INCHES FOR CUSTOMER REFERENCE ONLY UNLESS OTHERWISE SPECIFIED TOLERANCE ARE:		THESE DRAWINGS AND SPECIFICATIONS ARE THE PROPERTY OF ANOISON ELECTRONICS LTD AND SHOULD NOT BE USED WITHOUT WRITTEN PERMISSION COPYRIGHT © 2026 ANOISON ELECTRONICS LTD	
	.XX	±0.13 [.005"]	
	X	±0.20 [.008"]	
	X	±0.50 [.019"]	
	X°	±1°	
	X°	±2°	



TITLE
N TYPE FEMALE, 4 HOLE .687"SQ FLANGE TO ACCEPT PIN

VIEW



PART NO.
ANO 5112-3234

SIZE	A3	SCALE	2.5:1	SHEET	1/1	REV.	D
------	----	-------	-------	-------	-----	------	---

4

3

2

1