

**MATERIAL & FINISH:**

- 1 BODY: BRASS, ALBALOY PLATED
- 2 CENTER CONTACT: PHOSPHOR BRONZE, GOLD PLATED
- 3 INSULATOR: PTFE

**ELECTRICAL DATA:**

- 1 IMPEDANCE: 50 Ω
- 2 FREQUENCY RANGE: DC-18 GHz
- 3 VSWR: 1.35 MAX.

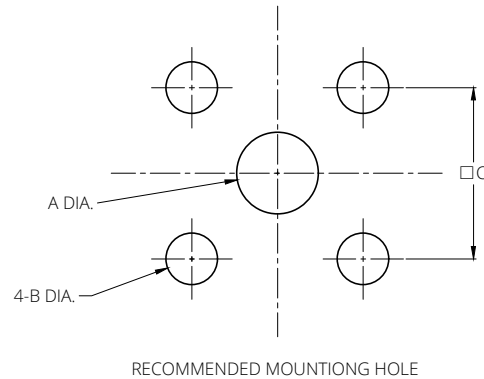
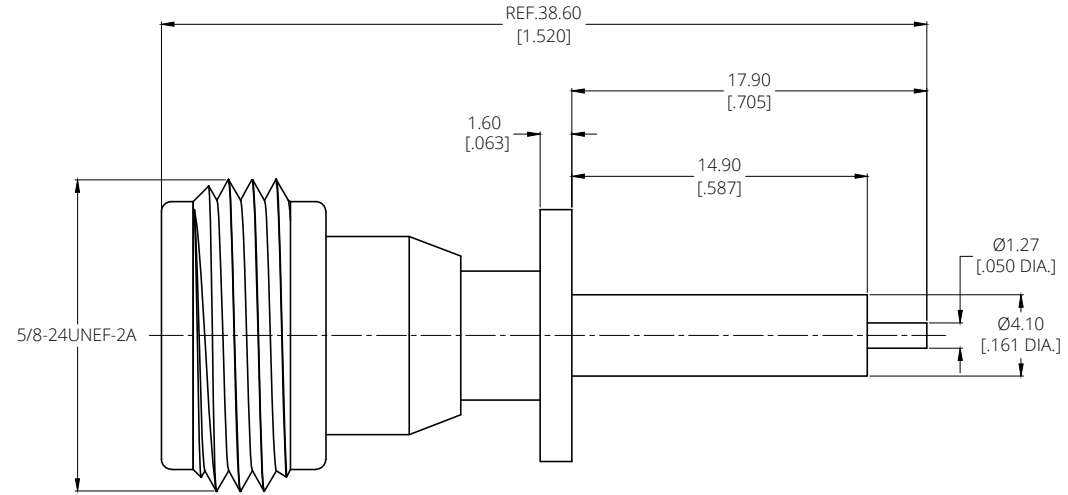
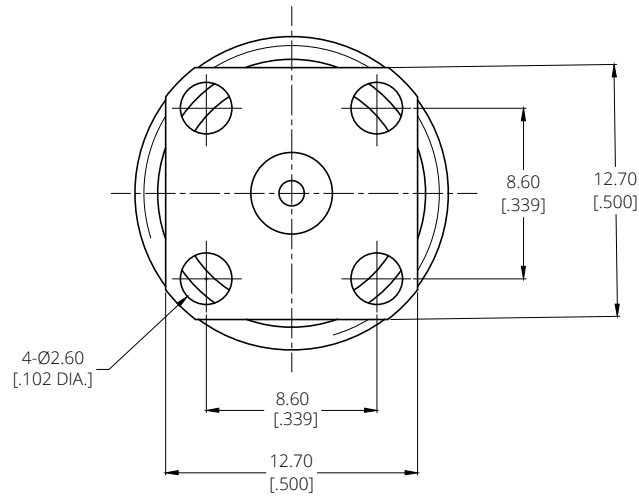
**ENVIRONMENTAL DATA:**

- 1 TEMPERATURE RANGE: -55°C~+125°C
- 2 2011/65/EU(RoHS) AND 2015/863/(RoHS): COMPLIANT

**MECHANICAL DATA:**

- 1 INTERFACE: IEC61169-16\_MIL-STD-348A/304\_CECC 22210
- 2 MATING LIFE: 500 CYCLES

REVISIONS			
REV.	DESCRIPTION	DATE	APPROVED
A	INITIAL RELEASE	10/14/14	J. Q
B	CHANGED FREQUENCY RANGE FROM DC-11GHz TO DC-18GHz, ADD VSWR 1.35 MAX.	07/10/24	J. Q



	MAX.	MIN.
A	4.2 [0.165]	4.1 [0.161]
B	2.7 [0.106]	2.6 [0.102]
C	8.69 [0.342]	8.59 [0.338]

DRAWN	Y. H	DATE	07/10/24
CHECKED	L. Y	DATE	07/10/24
APPROVED	J. Q	DATE	07/10/24

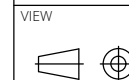
UNLESS OTHERWISE SPECIFIED DIMENSIONS ARE IN MILLIMETERS, DIMENSIONS IN [ ] ARE IN INCHES FOR CUSTOMER REFERENCE ONLY UNLESS OTHERWISE SPECIFIED TOLERANCE ARE:

XX	±0.13 [0.005"]
X	±0.20 [0.008"]
X	±0.50 [0.019"]
X°	±1°
X°	±2°

THESE DRAWINGS AND SPECIFICATIONS ARE THE PROPERTY OF ANOISON ELECTRONICS LTD AND SHOULD NOT BE USED WITHOUT WRITTEN PERMISSION COPYRIGHT © 2024 ANOISON ELECTRONICS LTD



TITLE  
N STRAIGHT FEMALE, 4 HOLE FLANGE PANEL RECEPTACLE



PART NO. ANO 5112-3200			
SIZE A3	SCALE 4:1	SHEET 1/1	REV. B