

**MATERIAL & FINISH:**

- 1 BODY: BRASS, ALBALOY PLATED
- 2 CENTER CONTACT: BERYLLIUM COPPER ALLOY, GOLD PLATED
- 3 INSULATOR: PTFE

**ENVIRONMENTAL DATA:**

- 1 TEMPERATURE RANGE: -65°C~+165°C
- 2 2011/65/EU (RoHS): COMPLIANT

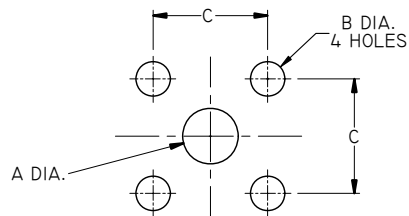
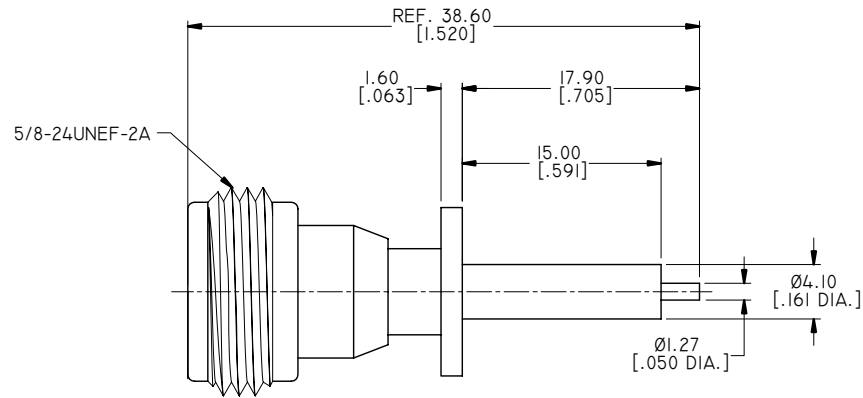
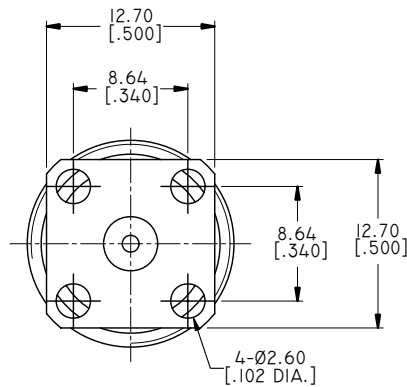
**MACHANICAL DATA:**

- 1 MECHANICAL DURABILITY: 500 CYCLES MIN.
- 2 CENTER CONTACT RETENTION:
  - AXIAL FORCE--MATING ENGD: 27 N MIN.
  - AXIAL FORCE--OPPOSITE ENGD: 27 N MIN.
  - TORQUE: 2.8 N.CM MIN.

**ELECTRICAL DATA:**

- 1 IMPEDANCE: 50 Ω
- 2 FREQUENCY RANGE: DC~11 GHZ
- 3 VSWR: 1.10 MAX.
- 4 INSERTION LOSS: 0.60 DB MAX.
- 5 VOLTAGE RATING: 500V RMS (SEA LEVEL)
- 6 DIELECTRIC WITHSTANDING VOLTAGE: 1000V RMS MIN.
- 7 INSULATION RESISTANCE: 5000 MΩ

REVISIONS			
REV.	DESCRIPTION	DATE	APPROVED
A	INITIAL RELEASE	04/15/13	J. QU
B	DRAWING FORMAT CHANGED	08/08/17	J. QU



RECOMMENDED MOUNTING HOLE

	MAX.	MIN.
A	4.2 [.165]	4.1 [.161]
B	2.7 [.106]	2.6 [.102]
C	8.69 [.342]	8.59 [.338]

DRAWN	X. B. YANG	DATE	08/08/17
CHECKED	P. CHEN	DATE	08/08/17
APPROVED	J. QU	DATE	08/08/17
UNLESS OTHERWISE SPECIFIED DIMENSIONS ARE IN MILLIMETERS. DIMENSIONS IN [ ] ARE IN INCHES FOR CUSTOMER REFERENCE ONLY UNLESS OTHERWISE SPECIFIED TOLERANCE ARE:		THESE DRAWINGS AND SPECIFICATIONS ARE THE PROPERTY OF ANOISON ELECTRONICS LTD AND SHOULD NOT BE USED WITHOUT WRITTEN PERMISSION COPYRIGHT © 2017 ANOISON ELECTRONICS LTD	
.XX	±0.13 [.005"]		
.X	±0.20 [.008"]		
X	±0.50 [.019"]		
.X°	±1°		
X°	±2°		



TITLE  
N STRAIGHT FEMALE, 4 HOLE 1/2 SQ. FLANGE MOUNT

VIEW	PART NO. ANO 5112-3182		
SIZE A3	SCALE 2.5:1	SHEET 1/1	REV. B