

**MATERIAL & FINISH:**

- 1 BODY: BRASS, ALBALOY PLATED
- 2 CENTER CONTACT: BERYLLIUM COPPER ALLOY, SILVER PLATED
- 3 INSULATOR: PTFE
- 4 GASKET: SILICONE RUBBER

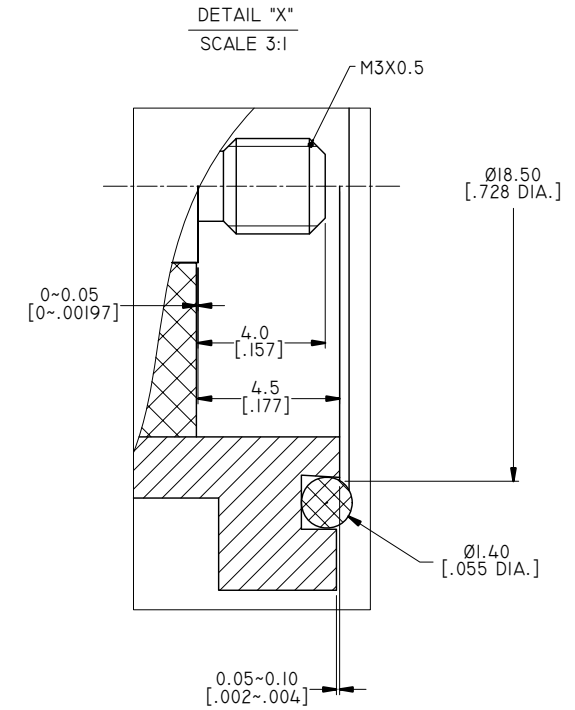
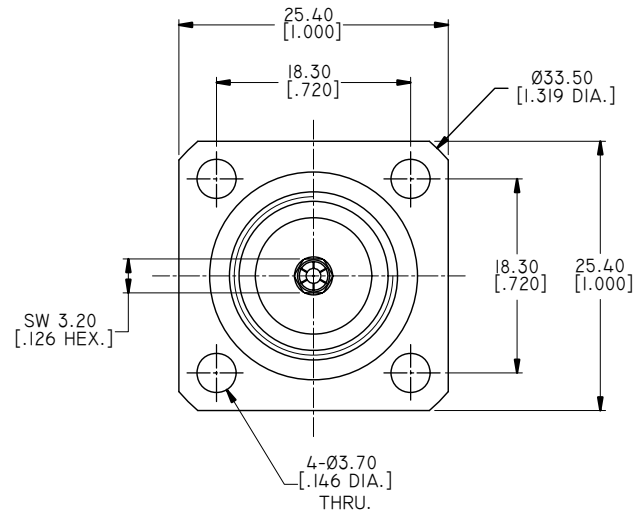
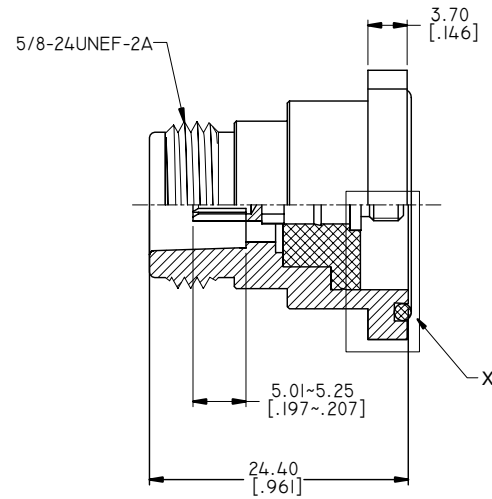
**ENVIRONMENTAL DATA:**

- 1 TEMPERATURE RANGE: -65°C~+165°C
- 2 2011/65/EU (RoHS): COMPLIANT

**ELECTRICAL DATA:**

- 1 IMPEDANCE: 50 Ω
- 2 FREQUENCY RANGE: DC~11 GHZ
- 3 VSWR: 1.15 MAX. AT DC~6 GHZ

REVISIONS			
REV.	DESCRIPTION	DATE	APPROVED
G	4-Ø3.10 [.122 DIA.] CHANGED TO 4-Ø3.70 [.146 DIA.]	01/22/16	J. QU
H	CENTER CONTACT MATERIAL CHANGED TO BERYLLIUM COPPER ALLOY	09/20/16	J. QU
I	O-RING DIMENSION Ø1.60 [.063 DIA.] CHANGED TO Ø1.40 [.055 DIA.]	06/20/18	J. QU



DRAWN	L. YANG	DATE	06/20/18
CHECKED	X. B. YANG	DATE	06/20/18
APPROVED	J. QU	DATE	06/20/18
UNLESS OTHERWISE SPECIFIED DIMENSIONS ARE IN MILLIMETERS, DIMENSIONS IN [ ] ARE IN INCHES FOR CUSTOMER REFERENCE ONLY UNLESS OTHERWISE SPECIFIED TOLERANCE ARE:		THESE DRAWINGS AND SPECIFICATIONS ARE THE PROPERTY OF ANOISON ELECTRONICS LTD AND SHOULD NOT BE USED WITHOUT WRITTEN PERMISSION COPYRIGHT © 2018 ANOISON ELECTRONICS LTD	
.XX	±0.13 [.005"]		
.X	±0.20 [.008"]		
X	±0.50 [.019"]		
.X°	±1°		
X°	±2°		



TITLE  
N STRAIGHT FEMALE 4 HOLE FLANGE RECEPTACLE THREADED POST

VIEW	PART NO. ANO 5112-3101			
SIZE	SCALE	SHEET	REV.	
A3	4:1	1/1	I	