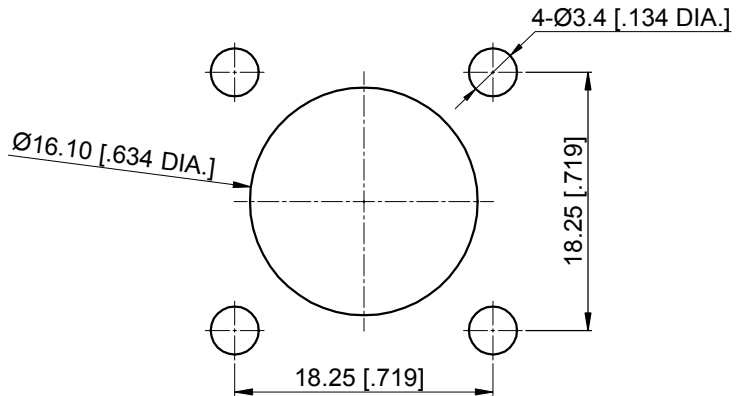
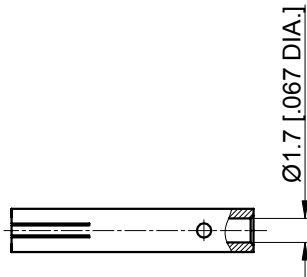
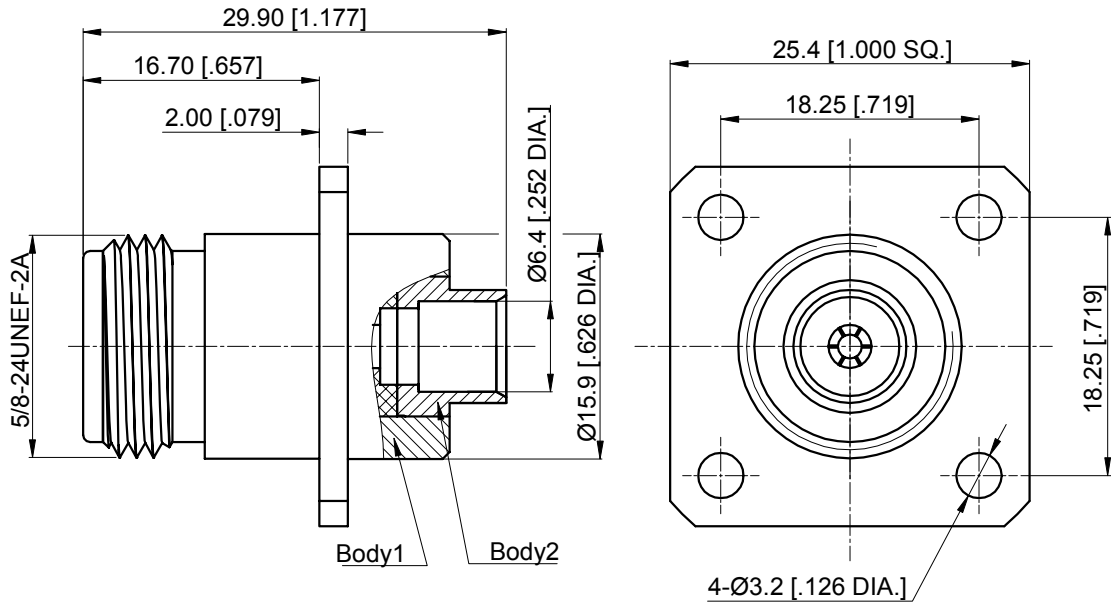
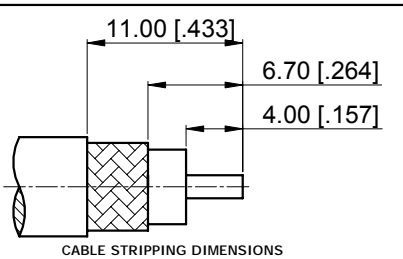


| DESCRIPTION | MATERIAL | FINISH |
|----------------|-----------------|---------|
| Center Contact | Phosphor Bronze | Gold |
| Body1 | Brass | Nickel |
| Body2 | Brass | Albaloy |
| Insulator | PTFE | |



Recommended Mounting Hole



CABLE STRIPPING DIMENSIONS

NOTES:

1. ALL SPECIFICATIONS ARE SUBJECT TO CHANGE WITHOUT NOTICE AT ANY TIME
2. CUSTOMER OUTLINE DRAWING FOR REFERENCE ONLY

| | | | | |
|-------------------|--------|----------|-----|------------------------------|
| Structure Changed | — | 11/15/11 | B | Drawn: L. Yang 11/15/11 |
| Release to Mfg. | — | 07/09/11 | A | Checked: X. B. Yang 11/15/11 |
| Description | Ecn.No | Date | Rev | Approved: J. Qu 11/15/11 |

Title:
N Straight Panel Mount Female Solder for .250 Cable



Unless otherwise specified dimensions are in millimeters, dimensions in [] are in inches for customer reference only.
Unless Otherwise Specified tolerance are:
.XX ±0.13 [.005"]
.X ±0.20 [.008"]
X ±0.50 [.019"]
X° ±1°
X° ±2°

| | |
|------------|----------------------------------|
| View: | Part No: ANO 5112-3091 |
| Size: A4 | Scale: 2:1 |
| Sheet: 1/1 | Rev: B |