

4

3

2

1

MATERIAL & FINISH:

- 1 BODY: BRASS, NICKEL PLATED
- 2 CENTER CONTACT: PHOSPHOR BRONZE, GOLD PLATED
- 3 INSULATOR: PTFE

ENVIRONMENTAL DATA:

- 1 TEMPERATURE RANGE: -65 °C~+165 °C
- 2 2011/65/EU(ROHS) AND 2015/863/(ROHS): COMPLIANT
- 3 1907/2006/EC(REACH): COMPLIANT

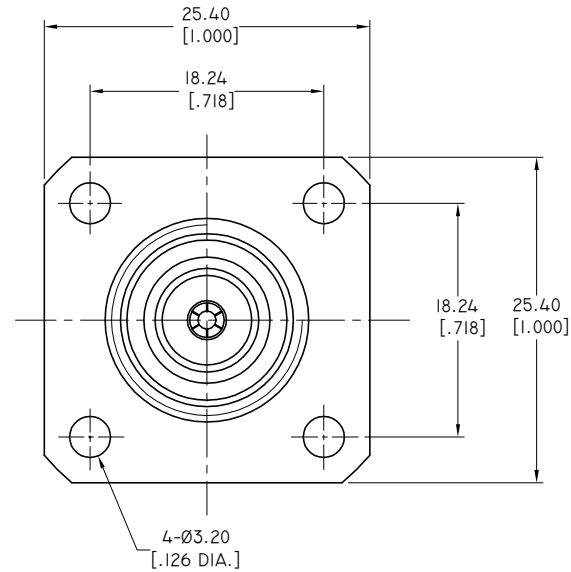
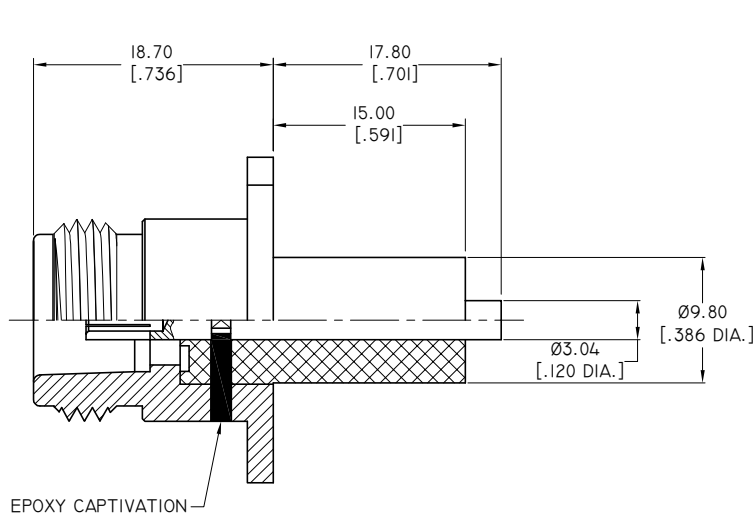
ELECTRICAL DATA:

- 1 IMPEDANCE: 50 Ω
- 2 FREQUENCY RANGE: DC~10 GHZ
- 3 POWER: 600W MIN. AT DC~2.5 GHZ

MECHANICAL DATA:

- 1 CENTER CONTACT RETENTION:
 - TORQUE: 0.10 NM MIN.
 - WITHDRAWAL FORCE: 20 N MIN.

REVISIONS			
REV.	DESCRIPTION	DATE	APPROVED
A	INITIAL RELEASE	04/08/09	J. QU
B	STRUCTURE CHANGED TO EPOXY CAPTIVATION	05/08/20	J. QU



DRAWN	X. B. YANG	DATE	05/08/20
CHECKED	W. YANG	DATE	05/08/20
APPROVED	J. QU	DATE	05/08/20
UNLESS OTHERWISE SPECIFIED DIMENSIONS ARE IN MILLIMETERS, DIMENSIONS IN [] ARE IN INCHES FOR CUSTOMER REFERENCE ONLY UNLESS OTHERWISE SPECIFIED TOLERANCE ARE:		THESE DRAWINGS AND SPECIFICATIONS ARE THE PROPERTY OF ANOISON ELECTRONICS LTD AND SHOULD NOT BE USED WITHOUT WRITTEN PERMISSION COPYRIGHT © 2020 ANOISON ELECTRONICS LTD	
.XX	±0.13 [.005"]		
.X	±0.20 [.008"]		
X	±0.50 [.019"]		
.X°	±1°		
X°	±2°		



TITLE			
N FEMALE 4 HOLE 1 INCH SQUARE FLANGE RECEPTACLE-EXPOSED TEFLON			
VIEW	PART NO.		
	ANO 5112-3035		
SIZE	SCALE	SHEET	REV.
A3	2.5:1	1/1	B

4

3

2

1