

**MATERIAL & FINISH:**

- 1 BODY: BRASS, NICKEL PLATED
- 2 CENTER CONTACT: PHOSPHOR BRONZE, GOLD PLATED
- 3 INSULATOR: PTFE
- 4 O-RING: SILICONE RUBBER

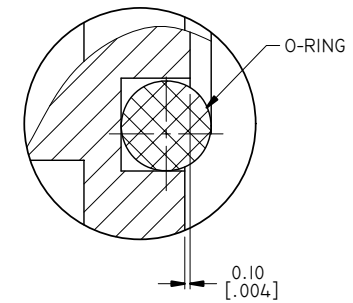
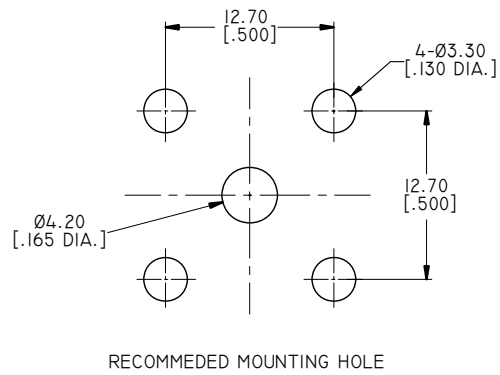
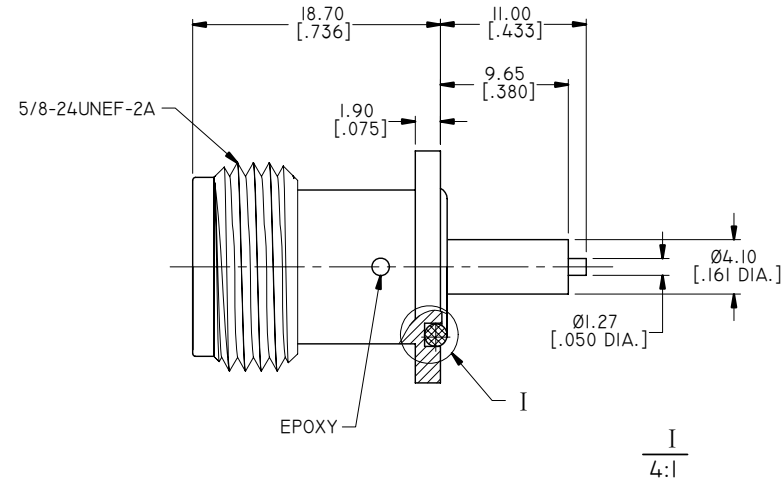
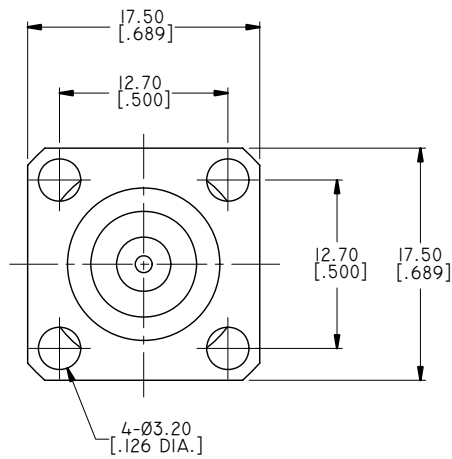
**ELECTRICAL DATA:**

- 1 IMPEDANCE: 50 Ω
- 2 FREQUENCY RANGE: DC~11 GHZ

**ENVIRONMENTAL DATA:**

- 1 TEMPERATURE RANGE: -40°C~+85°C
- 2 2011/65/EU (RoHS): COMPLIANT

REVISIONS			
REV.	DESCRIPTION	DATE	APPROVED
A	INITIAL RELEASE	08/26/09	J. QU
B	TABEL ADDED	06/25/10	J. QU
C	ANO 5112-3014 REMOVED	08/06/17	J. QU



DRAWN	X. B. YANG	DATE	08/06/17
CHECKED	P. CHEN	DATE	08/06/17
APPROVED	J. QU	DATE	08/06/17
UNLESS OTHERWISE SPECIFIED DIMENSIONS ARE IN MILLIMETERS. DIMENSIONS IN [ ] ARE IN INCHES FOR CUSTOMER REFERENCE ONLY UNLESS OTHERWISE SPECIFIED TOLERANCE ARE:		THESE DRAWINGS AND SPECIFICATIONS ARE THE PROPERTY OF ANOISON ELECTRONICS LTD AND SHOULD NOT BE USED WITHOUT WRITTEN PERMISSION COPYRIGHT © 2017 ANOISON ELECTRONICS LTD	
.XX	±0.13 [.005"]		
.X	±0.20 [.008"]		
X	±0.50 [.019"]		
.X°	±1°		
X°	±2°		



TITLE  
N STRAIGHT FEMALE, 4 HOLE .689 SQ. FLANGE MOUNT

VIEW	PART NO. ANO 5112-3014						
SIZE	A3	SCALE	2.5:1	SHEET	I/1	REV.	C