

4

3

2

1

1.0 MATERIAL & FINISH:

- 1.1 BODY: STAINLESS STEEL, PASSIVATED
- 1.2 CENTER CONTACT: BERYLLIUM COPPER ALLOY, GOLD PLATED
- 1.3 SOLDER FERRULE: BRASS, GOLD PLATED
- 1.4 INSULATOR: PEI

2.0 ELECTRICAL DATA:

- 2.1 IMPEDANCE: 50 Ω
- 2.2 FREQUENCY RANGE: DC-18GHz
- 2.3 VSWR: 1.25 MAX.

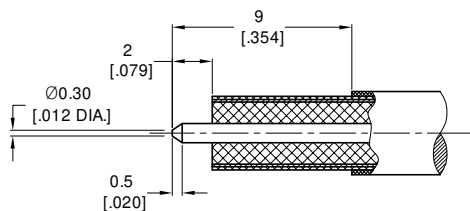
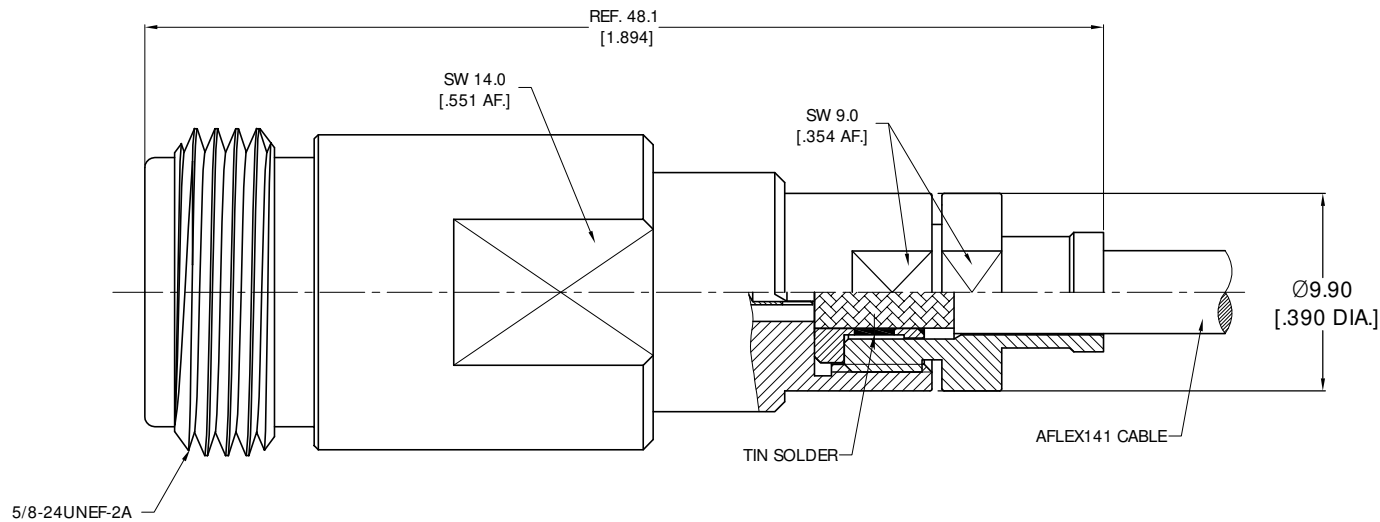
3.0 ENVIRONMENTAL DATA:

- 3.1 TEMPERATURE RANGE: -55 °C ~ +125 °C
- 3.2 2011/65/EU (RoHS) AND 2015/863/(RoHS): COMPLIANT
- 3.3 1999/45/EC (REACH): COMPLIANT

4.0 MECHANICAL DATA:

- 4.1 MECHANICAL DURABILITY: 500 CYCLES MIN.
- 4.2 CENTER CONTACT: CAPTIVATED
- 4.3 OUTER CONTACT: SOLDERED

REVISIONS			
REV.	DESCRIPTION	DATE	APPROVED
A	INITIAL RELEASE	02/01/21	J QU



CABLE STRIPPING DIMENSIONS

DRAWN	P. CHEN	DATE	02/01/21
CHECKED	X. B. YANG	DATE	02/01/21
APPROVED	J QU	DATE	02/01/21
UNLESS OTHERWISE SPECIFIED DIMENSIONS ARE IN MILLIMETERS, DIMENSIONS IN [] ARE IN INCHES FOR CUSTOMER REFERENCE ONLY UNLESS OTHERWISE SPECIFIED TOLERANCE ARE:		THESE DRAWINGS AND SPECIFICATIONS ARE THE PROPERTY OF ANOISON ELECTRONICS LTD AND SHOULD NOT BE USED WITHOUT WRITTEN PERMISSION COPYRIGHT © 2021 ANOISON ELECTRONICS LTD	
	XX	±0.13	[.005"]
	X	±0.20	[.008"]
	X	±0.50	[.019"]
	X"	±1°	
	X"	±2°	

TITLE
N STRAIGHT FEMALE SOLDER FOR AFLEX141 CABLE CAPTIVATED CONTACT

VIEW

PART NO.
ANO 5112-2348

SIZE	SCALE	SHEET	REV.
A3	4:1	1/1	A

4

3

2

1