

4 3 2 1

MATERIAL & FINISH:

- 1 BODY: BRASS, ALBALOY PLATED
- 2 CENTER CONTACT: PHOSPHOR BRONZE, SILVER PLATED
- 3 INSULATOR: PTFE

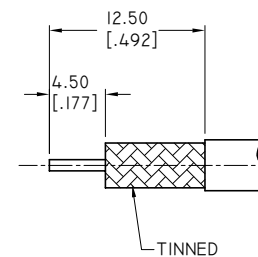
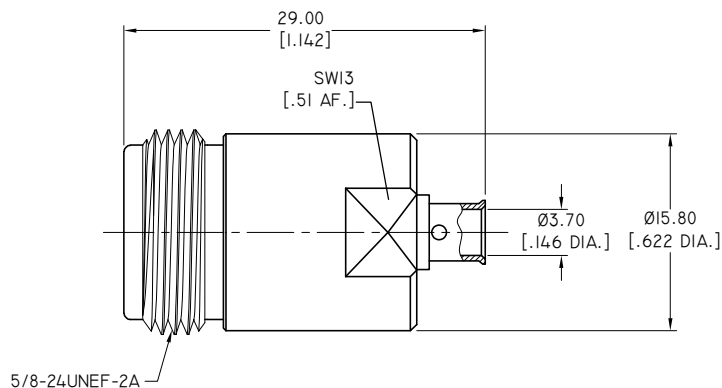
ELECTRICAL DATA:

- 1 IMPEDANCE: 50 Ω
- 2 FREQUENCY RANGE: DC~11 GHZ

ENVIRONMENTAL DATA:


- 1 TEMPERATURE RANGE: -55°C~+165°C
- 2 2011/65/EU (RoHS): COMPLIANT

REVISIONS			
REV.	DESCRIPTION	DATE	APPROVED
A	INITIAL RELEASE	05/17/22	J. QU

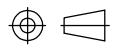


CABLE STRIPPING DIMENSIONS

DRAWN	W. YANG	DATE	05/17/22
CHECKED	P. CHEN	DATE	05/17/22
APPROVED	J. QU	DATE	05/17/22
UNLESS OTHERWISE SPECIFIED DIMENSIONS ARE IN MILLIMETERS, DIMENSIONS IN [] ARE IN INCHES FOR CUSTOMER REFERENCE ONLY UNLESS OTHERWISE SPECIFIED TOLERANCE ARE:		THESE DRAWINGS AND SPECIFICATIONS ARE THE PROPERTY OF ANOISON ELECTRONICS LTD AND SHOULD NOT BE USED WITHOUT WRITTEN PERMISSION COPYRIGHT © 2022 ANOISON ELECTRONICS LTD	
.XX	±0.13 [.005"		
.X	±0.20 [.008"		
X	±0.50 [.019"		
X*	±1°		
X*	±2°		



TITLE
N STRAIGHT FEMALE SOLDER FOR .141 CABLE

VIEW 

PART NO. ANO 5112-2333

SIZE A3	SCALE 2.5:1	SHEET 1/1	REV. A
-------------------	-----------------------	---------------------	------------------

4 3 2 1