

4

3

2

1

MATERIAL & FINISH:

- 1 BODY: BRASS, ALBALOY PLATED
- 2 CENTER CONTACT: PHOSPHOR BRONZE, SILIVER PLATED
- 3 INSULATOR: PTFE

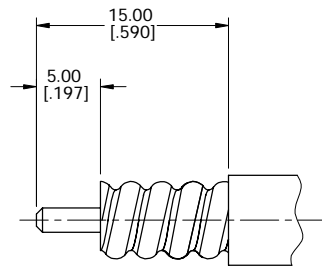
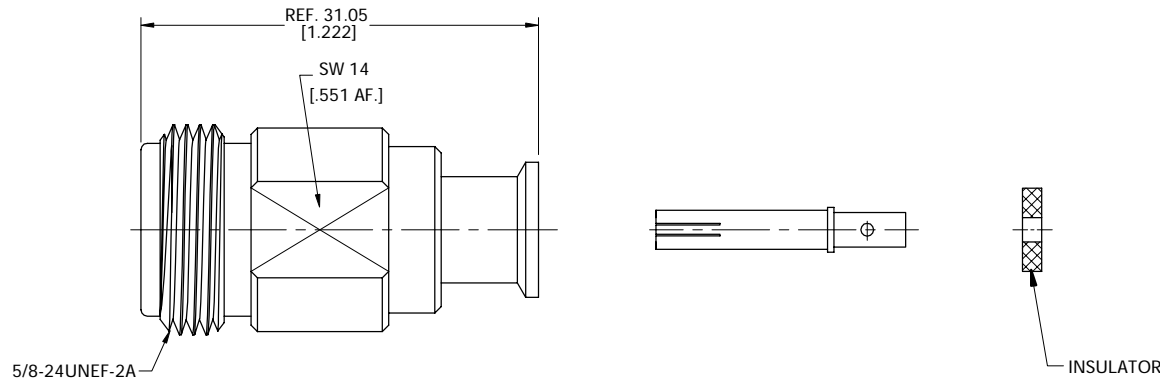
ENVIRONMENTAL DATA:

- 1 TEMPERATURE RANGE: -55°C ~ +165°C
- 2 2011/65/EU(RoHS) AND 2015/863/(RoHS): COMPLIANT
- 3 1999/45/EC(REACH): COMPLIANT

ELECTRICAL DATA:

- 1 IMPEDANCE: 50 Ω
- 2 FREQUENCY RANGE: DC-6 GHz
- 3 VSWR: 1.35 MAX.
- 4 PIM3: ≥ 160 dBc\A1;(2X43dBm)

REVISIONS			
REV.	DESCRIPTION	DATE	APPROVED
A	INITIAL RELEASE	06/01/23	J. Q



CABLE STRIPPING DIMENSIONS

DRAWN	W. Y	DATE	06/01/23
CHECKED	X. Y	DATE	06/01/23
APPROVED	J. Q	DATE	06/01/23

UNLESS OTHERWISE SPECIFIED DIMENSIONS ARE IN MILLIMETERS, DIMENSIONS IN [] ARE IN INCHES FOR CUSTOMER REFERENCE ONLY UNLESS OTHERWISE SPECIFIED TOLERANCE ARE:

XX	±0.13 [.005"]
X	±0.20 [.008"]
X	±0.50 [.019"]
X°	±1°
X"	±2°

THESE DRAWINGS AND SPECIFICATIONS ARE THE PROPERTY OF ANOISON ELECTRONICS LTD AND SHOULD NOT BE USED WITHOUT WRITTEN PERMISSION COPYRIGHT © 2023 ANOISON ELECTRONICS LTD



TITLE			
N STRAIGHT FEMALE SOLDER/SOLDER FOR 1/4" SUPER FLEX CABLE			

VIEW	PART NO.		
	ANO 5112-2316		
SIZE	SCALE	SHEET	REV.
A3	2.5:1	1/1	A

4

3

2

1

D

C

B

A

D

C

B

A