

4

3

2

1

MATERIAL & FINISH:

- 1 BODY: BRASS, ALBALOY PLATED
- 2 CENTER CONTACT: PHOSPHOR BRONZE, SILVER PLATED
- 3 INSULATOR: PTFE

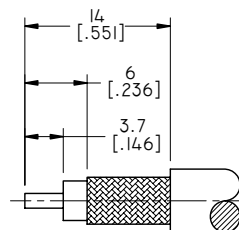
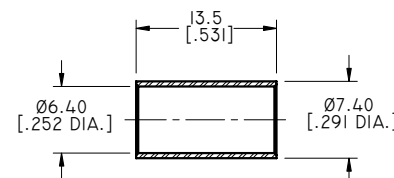
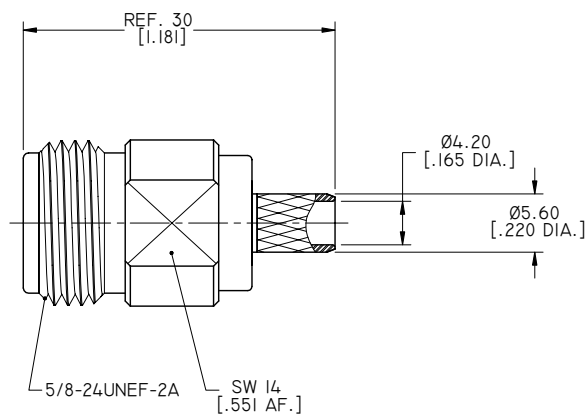
ENVIRONMENTAL DATA:

- 1 TEMPERATURE RANGE: -55°C ~ +125°C
- 2 2011/65/EU (RoHS): COMPLIANT

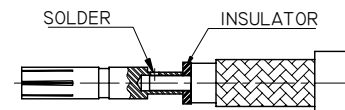
ELECTRICAL DATA:


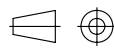
- 1 IMPEDANCE: 50 Ω
- 2 WITHSTAND VOLTAGE: 2500 V MAX.
- 3 FREQUENCY RANGE: DC~6 GHz
- 4 VSWR: 1.15 MAX. AT DC~3 GHz
1.30 MAX. AT 3~6 GHz
- 5 PIM3: ≥ 140 DBC (2X43DBM) AT 900 MHZ

REVISIONS			
REV.	DESCRIPTION	DATE	APPROVED
A	INITIAL RELEASE	11/06/15	J. QU
B	ANO 5112-2292 WAS ANO 5112-2236	11/01/19	J. QU



CABLE STRIPPING DIMENSIONS



DRAWN	P. CHEN	DATE	11/01/19				
CHECKED	L. YANG	DATE	11/01/19				
APPROVED	J. QU	DATE	11/01/19				
UNLESS OTHERWISE SPECIFIED DIMENSIONS ARE IN MILLIMETERS, DIMENSIONS IN [] ARE IN INCHES FOR CUSTOMER REFERENCE ONLY UNLESS OTHERWISE SPECIFIED TOLERANCE ARE:		THESE DRAWINGS AND SPECIFICATIONS ARE THE PROPERTY OF ANOISON ELECTRONICS LTD AND SHOULD NOT BE USED WITHOUT WRITTEN PERMISSION COPYRIGHT © 2019 ANOISON ELECTRONICS LTD		TITLE N STRAIGHT FEMALE CRIMP FOR LMR240 CABLE			
.XX ±0.13 [.005"] .X ±0.20 [.008"] X ±0.50 [.019"] .X° ±1° X° ±2°				VIEW 		PART NO. ANO 5112-2292	
				SIZE A3	SCALE 2:1	SHEET 1/1	REV. B

4

3

2

1