

MATERIAL & FINISH

- 1 BODY: BRASS, ALBALOY PLATED
- 2 CENTER CONTACT: PHOSPHOR BRONZE, SILVER PLATED
- 3 INSULATOR: PTFE

ELECTRICAL DATA:

- 1 IMPEDANCE: 50 Ω
- 2 FREQUENCY RANGE: DC~6GHZ
- 3 VSWR: 1.05 AT DC~3GHZ  
1.17 AT 3~6GHZ
- 4 DC TEST VOLTAGE: 2500V MIN.

ENVIRONMENTAL DATA:

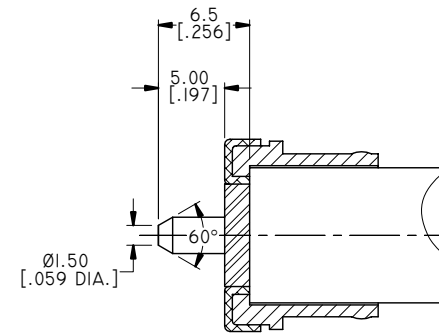
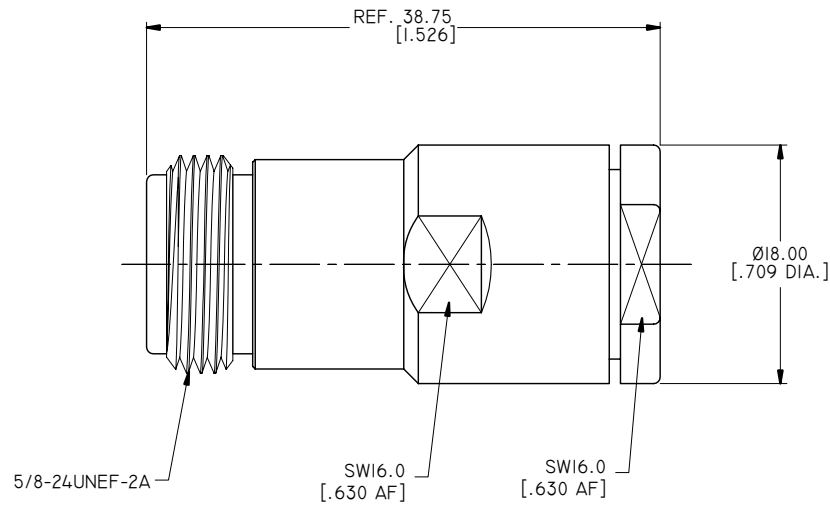
- 1 TEMPERATURE RANGE: -55°C~+125°C
- 2 011/65/EU (RoHS): COMPLIANT

MECHANICAL DATA:

- 1 MECHANICAL DURABILITY: 500 CYCLES MIN.
- 2 CENTER CONTACT: CAPTIVATED
- 3 OUTER CONTACT: CLAMP
- 4 CONNECTOR RETENTION TENSILE FORCE: 330N [74 LBF]

REVISIONS

REV.	DESCRIPTION	DATE	APPROVED
A	INITIAL RELEASE	08/05/15	J. QU



CABLE STRIPPING DIMENSIONS

DRAWN	X. B. YANG	DATE	08/05/15
CHECKED	L. YANG	DATE	08/05/15
APPROVED	J. QU	DATE	08/05/15
UNLESS OTHERWISE SPECIFIED DIMENSIONS ARE IN MILLIMETERS, DIMENSIONS IN [ ] ARE IN INCHES FOR CUSTOMER REFERENCE ONLY UNLESS OTHERWISE SPECIFIED TOLERANCE ARE:		THESE DRAWINGS AND SPECIFICATIONS ARE THE PROPERTY OF ANOISON ELECTRONICS LTD AND SHOULD NOT BE USED WITHOUT WRITTEN PERMISSION COPYRIGHT © 2015 ANOISON ELECTRONICS LTD	
.XX	±0.13 [.005"]		
.X	±0.20 [.008"]		
X	±0.50 [.019"]		
.X°	±1°		
X°	±2°		



TITLE  
N STRAIGHT FEMALE CLAMP FOR LMR400 CABLE CAPTIVATED CONTACT

VIEW	PART NO. ANO 5112-2223		
	SIZE A3	SCALE 2.5:1	SHEET 1/1
		REV. A	