

1.0 MATERIAL & FINISH:

- 1.1 BODY: STAINLESS STEEL, PASSIVATED
- 1.2 CENTER CONTACT: BERYLLIUM COPPER ALLOY, GOLD PLATED
- 1.3 SOLDER FERRULE: BRASS, GOLD PLATED
- 1.4 COUPLING NUT: STAINLESS STEEL, PASSIVATED
- 1.5 INSULATOR: PEI

2.0 ELECTRICAL DATA:

- 2.1 IMPEDANCE: 50 Ω
- 2.2 FREQUENCY RANGE: DC~18GHZ
- 2.3 VSWR: 1.25 MAX.

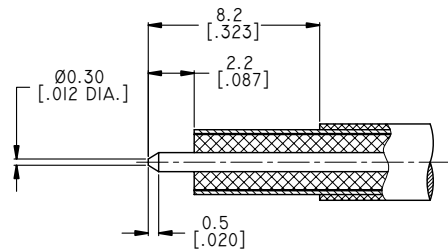
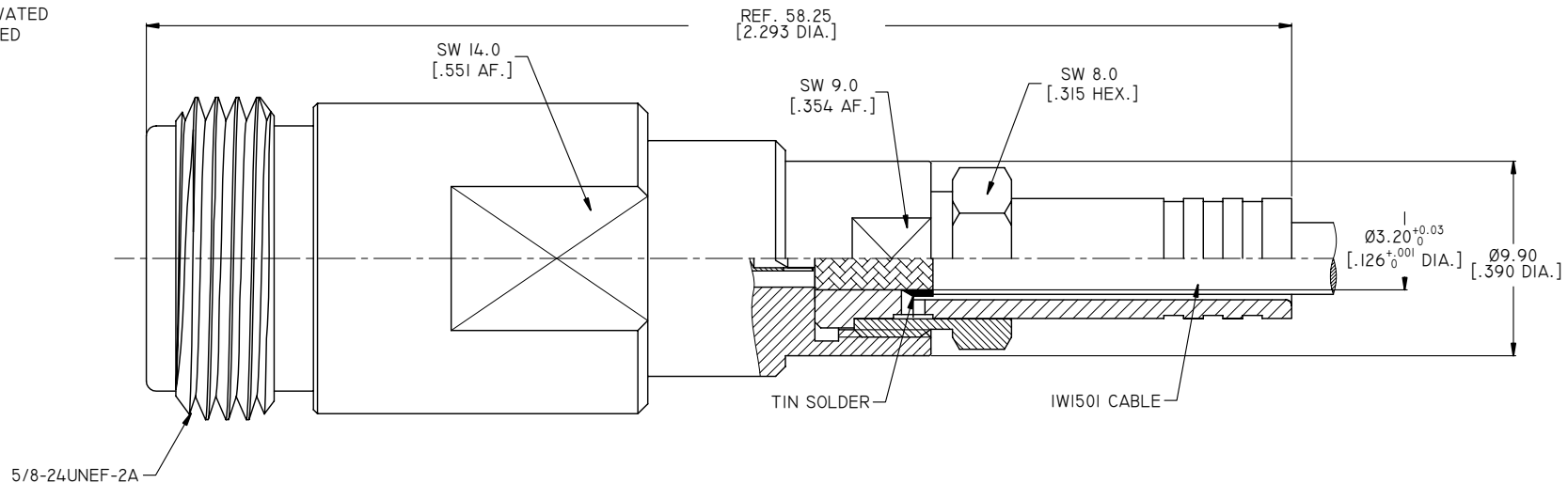
3.0 ENVIRONMENTAL DATA:

- 3.1 TEMPERATURE RANGE: -55°C~+125°C
- 3.2 2011/65/EU(ROHS) AND 2015/863/(ROHS): COMPLIANT
- 3.3 1999/45/EC(REACH): COMPLIANT

4.0 MECHANICAL DATA:

- 4.1 MECHANICAL DURABILITY: 500 CYCLES MIN.
- 4.2 CENTER CONTACT: CAPTIVATED
- 4.3 OUTER CONTACT: SOLDERED

REVISIONS			
REV.	DESCRIPTION	DATE	APPROVED
D	SW 10.00 [.394 AF.] REMOVED AND SW 9.00 [.354 AF.] ADDED	01/28/15	J. QU
E	CHANGED DRAWINGS	10/14/19	J. QU



CABLE STRIPPING DIMENSIONS

DRAWN	P. CHEN	DATE	10/14/19
CHECKED	X. B. YANG	DATE	10/14/19
APPROVED	J. QU	DATE	10/14/19

UNLESS OTHERWISE SPECIFIED DIMENSIONS ARE IN MILLIMETERS, DIMENSIONS IN [] ARE IN INCHES FOR CUSTOMER REFERENCE ONLY UNLESS OTHERWISE SPECIFIED TOLERANCE ARE:

.XX	±0.13 [.005"]
.X	±0.20 [.008"]
X	±0.50 [.019"]
.X°	±1°
X°	±2°

THESE DRAWINGS AND SPECIFICATIONS ARE THE PROPERTY OF ANOISON ELECTRONICS LTD AND SHOULD NOT BE USED WITHOUT WRITTEN PERMISSION COPYRIGHT © 2019 ANOISON ELECTRONICS LTD



TITLE
N STRAIGHT FEMALE SOLDER FOR IW1501 CABLE CAPTIVATED CONTACT

VIEW	PART NO. ANO 5112-2203		
	SIZE A3	SCALE 5:1	SHEET 1/1
			REV. E