

4 3 2 1

MATERIAL & FINISH:

- 1 BODY: BRASS, ALBALOY PLATED
- 2 CENTER CONTACT: BERYLLIUM COPPER ALLOY, SILVER PLATED
- 3 INSULATOR: PTFE
- 4 GASKET: SILICONE RUBBER

ELECTRICAL DATA:

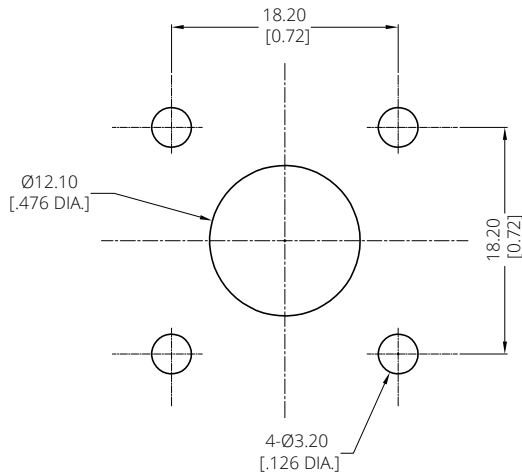
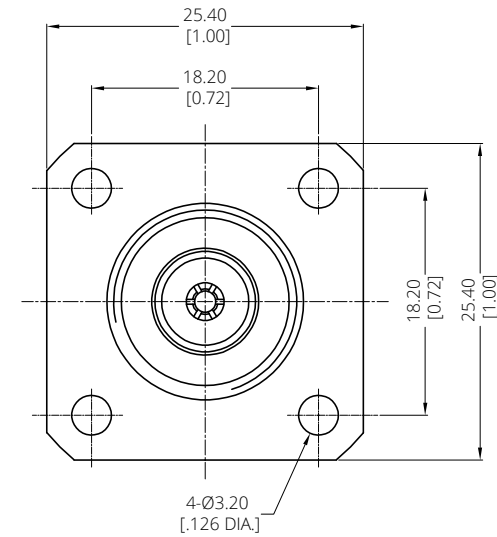
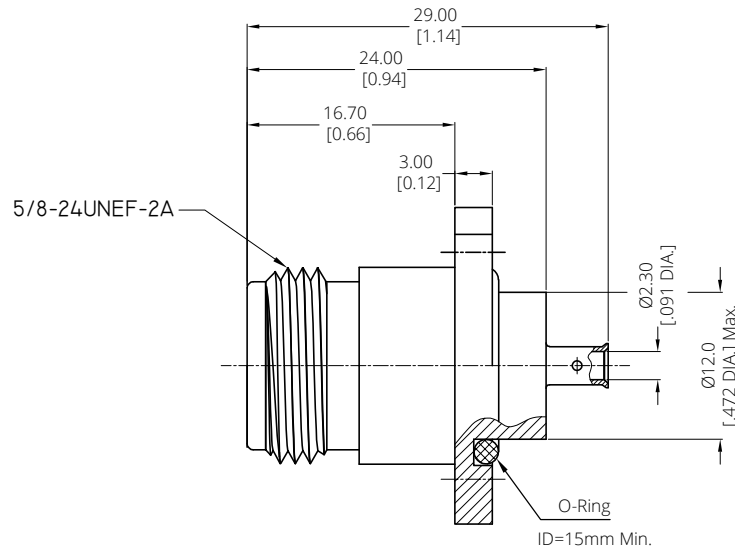
- 1 IMPEDANCE: 50 Ω
- 2 FREQUENCY RANGE: DC~6 GHz
- 3 VSWR: 1.30 MAX.

ENVIRONMENTAL DATA:

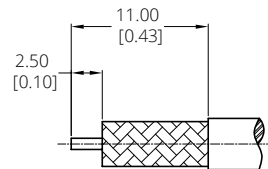
- 1 TEMPERATURE RANGE: -55°C~+125°C
- 2 2011/65/EU(RoHS) AND 2015/863/(RoHS): COMPLIANT
- 3 1907/2006/EC(REACH): COMPLIANT

REVISIONS

REV.	DESCRIPTION	DATE	APPROVED
A	INITIAL RELEASE	05/23/13	J. Q
B	DRAWING CHANGED	05/25/23	J. Q
C	ADDED DIMENSION 16.70	04/26/24	J. Q



RECOMMEND MOUNTING HOLE



CABLE STRIPPING DIMENSIONS

DRAWN	W. Y	DATE	04/26/24
CHECKED	X. Y	DATE	04/26/24
APPROVED	J. Q	DATE	04/26/24
UNLESS OTHERWISE SPECIFIED DIMENSIONS ARE IN MILLIMETERS, DIMENSIONS IN [] ARE IN INCHES FOR CUSTOMER REFERENCE ONLY UNLESS OTHERWISE SPECIFIED TOLERANCE ARE:		THESE DRAWINGS AND SPECIFICATIONS ARE THE PROPERTY OF ANOISON ELECTRONICS LTD AND SHOULD NOT BE USED WITHOUT WRITTEN PERMISSION COPYRIGHT © 2024 ANOISON ELECTRONICS LTD	
XX	±0.13 [.005"]		
X	±0.20 [.008"]		
X	±0.50 [.019"]		
X*	±1°		
X*	±2°		



TITLE			
N STRAIGHT FEMALE 4 HOLE FLANGE MOUNT SOLDER FOR .086 CABLE			
VIEW	PART NO. ANO 5112-2165		
SIZE A3	SCALE 5:1	SHEET 1/1	REV. C

4 3 2 1