

MATERIAL & FINISH:

- 1 BODY: BRASS, NICKEL PLATED
- 2 CENTER CONTACT: PHOSPHOR BRONZE, GOLD PLATED
- 3 CRIMP FERRULE: COPPER, NICKEL PLATED
- 4 INSULATOR: PTFE

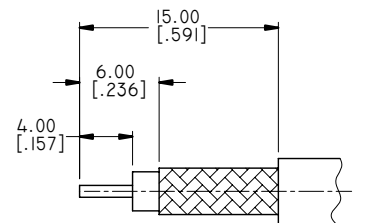
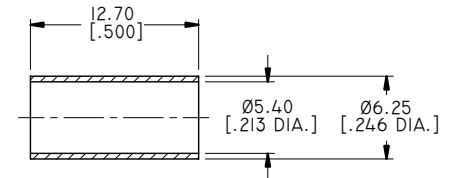
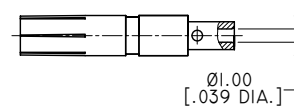
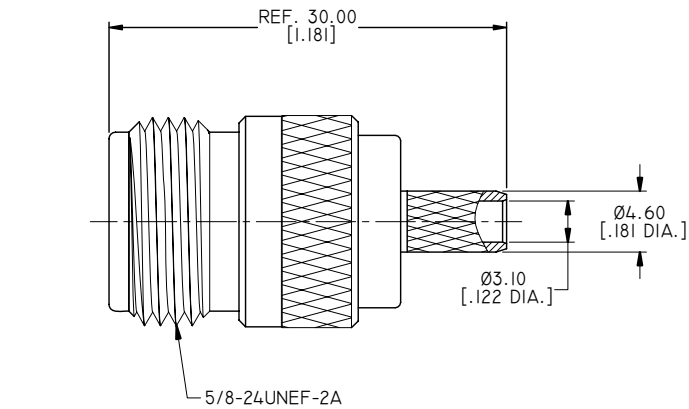
ELECTRICAL DATA:

- 1 IMPEDANCE: 50 Ω
- 2 FREQUENCY RANGE: DC~6 GHz
- 3 VSWR: 1.30 MAX.

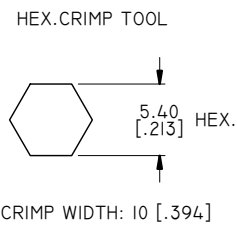
ENVIRONMENTAL DATA:

- 1 TEMPERATURE RANGE: -55°C~+125°C
- 2 2011/65/EU (RoHS): COMPLIANT

REVISIONS			
REV.	DESCRIPTION	DATE	APPROVED
A	INITIAL RELEASE	03/29/10	J. QU
B	STRUCTURE CHANGED	07/15/11	J. QU
C	DRAWING FORMAT CHANGED	08/06/17	J. QU



CABLE STRIPPING DIMENSIONS



CRIMP WIDTH: 10 [.394]

DRAWN	X. B. YANG	DATE	08/06/17
CHECKED	P. CHEN	DATE	08/06/17
APPROVED	J. QU	DATE	08/06/17
UNLESS OTHERWISE SPECIFIED DIMENSIONS ARE IN MILLIMETERS, DIMENSIONS IN [] ARE IN INCHES FOR CUSTOMER REFERENCE ONLY UNLESS OTHERWISE SPECIFIED TOLERANCE ARE:		THESE DRAWINGS AND SPECIFICATIONS ARE THE PROPERTY OF ANOISON ELECTRONICS LTD AND SHOULD NOT BE USED WITHOUT WRITTEN PERMISSION COPYRIGHT © 2017 ANOISON ELECTRONICS LTD	
.XX	±0.13 [.005"]		
.X	±0.20 [.008"]		
X	±0.50 [.019"]		
.X°	±1°		
X°	±2°		



TITLE
N STRAIGHT FEMALE CRIMP FOR LMRI95/RG58 CABLE

VIEW	PART NO. ANO 5112-2063		
SIZE A3	SCALE 2.5:1	SHEET 1/1	REV. C