

4

3

2

1

MATERIAL & FINISH:

- 1 BODY: BRASS, ALBALOY PLATED
- 2 CENTER CONTACT: PHOSPHOR BRONZE, SILVER PLATED
- 3 INSULATOR: PTFE
- 4 O-RING: MVQ(SILICONE RUBBER)

ELECTRICAL DATA:

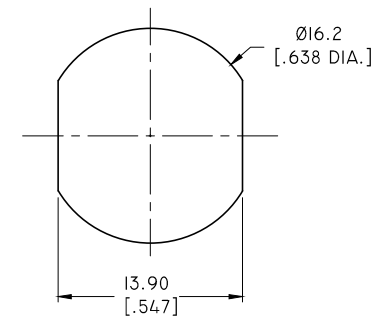
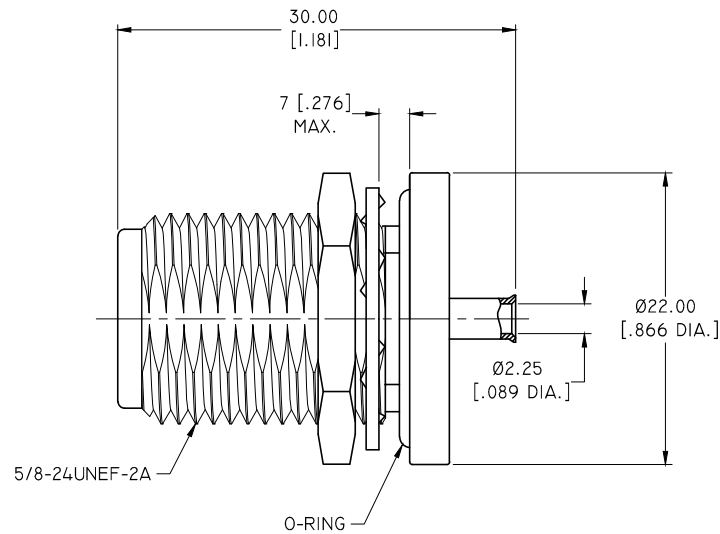
- 1 IMPEDANCE: 50 Ω
- 2 FREQUENCY RANGE: DC~11 GHZ

REVISIONS

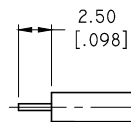
REV.	DESCRIPTION	DATE	APPROVED
A	INITIAL RELEASE	08/27/19	J. QU

ENVIRONMENTAL DATA:

- 1 TEMPERATURE RANGE: -55°C~+165°C
- 2 2011/65/EU (RoHS): COMPLIANT
- 3 INGRESS PROTECTION RATING: IP67 WHEN UNMATED REQUIRED



RECOMMENDED MOUNTING HOLE



CABLE STRIPPING DIMENSIONS

DRAWN	W. YANG	DATE	08/27/19
CHECKED	X. B. YANG	DATE	08/27/19
APPROVED	J. QU	DATE	08/27/19
UNLESS OTHERWISE SPECIFIED DIMENSIONS ARE IN MILLIMETERS, DIMENSIONS IN [] ARE IN INCHES FOR CUSTOMER REFERENCE ONLY UNLESS OTHERWISE SPECIFIED TOLERANCE ARE:		THESE DRAWINGS AND SPECIFICATIONS ARE THE PROPERTY OF ANOISON ELECTRONICS LTD AND SHOULD NOT BE USED WITHOUT WRITTEN PERMISSION COPYRIGHT © 2019 ANOISON ELECTRONICS LTD	
.XX	+0.13 [0.005"]		
.X	+0.20 [0.008"]		
X	+0.50 [0.019"]		
.X°	±1°		
X°	±2°		



TITLE
N STRAIGHT BULKHEAD FEMALE SOLDER FOR .086 CABLE

VIEW



PART NO.

ANO 5112-I330

SIZE
A3SCALE
2.5:1SHEET
1/1REV.
A

4

3

2

1