

MATERIAL & FINISH:

- 1 BODY: BRASS, ALBALOY PLATED
- 2 CENTER CONTACT: PHOSPHOR BRONZE, SILVER PLATED
- 3 INSULATOR: PTFE
- 4 LOCK WASHER: PHOSPHOR BRONZE, ALBALOY PLATED
- 5 FASTENING NUT: BRASS, ALBALOY PLATED
- 6 O-RING: SILICONE RUBBER

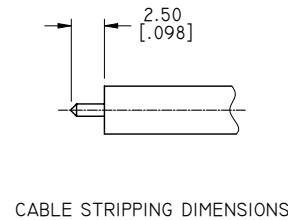
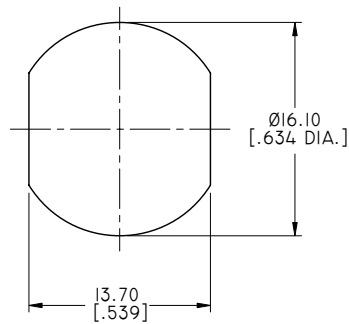
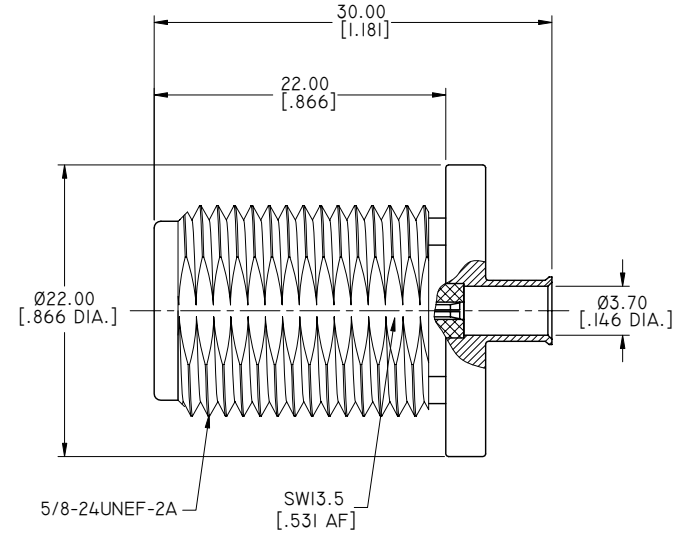
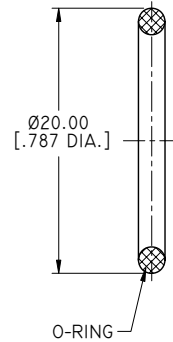
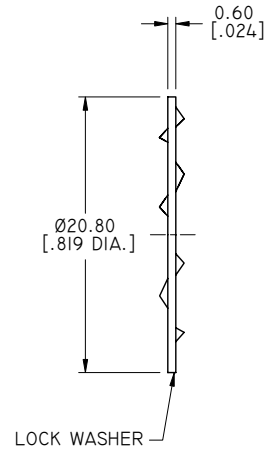
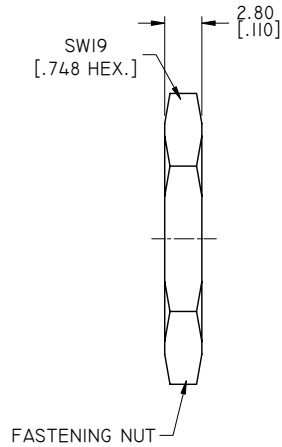
ELECTRICAL DATA:

- 1 IMPEDANCE: 50 Ω
- 2 FREQUENCY RANGE: DC~6 GHZ
- 3 VSWR: 1.20 MAX. AT DC~3 GHZ
1.30 MAX. AT 3~6 GHZ
- 4 DIELECTIRC WITHSTANDINIG VOLTAGE: 1000 VRMS MAX.

ENVIRONMENTAL DATA:

- 1 TEMPERATURE RANGE: -55°C~+125°C
- 2 2011/65/EU (RoHS): COMPLIANT

REVISIONS			
REV.	DESCRIPTION	DATE	APPROVED
A	INITIAL RELEASE	04/18/18	J. QU



NOETS:
FASTENING NUT, LOCK WASHER AND O-RING INDIVIDUALLY PACKED

DRAWN	X. B. YANG	DATE	04/18/18
CHECKED	W. YANG	DATE	04/18/18
APPROVED	J. QU	DATE	04/18/18
UNLESS OTHERWISE SPECIFIED DIMENSIONS ARE IN MILLINETERS. DIMENSIONS IN [] ARE IN INCHES FOR CUSTOMER REFERENCE ONLY UNLESS OTHERWISE SPECIFIED TOLERANCE ARE:		THESE DRAWINGS AND SPECIFICATIONS ARE THE PROPERTY OF ANOISON ELECTRONICS LTD AND SHOULD NOT BE USED WITHOUT WRITTEN PERMISSION COPYRIGHT © 2018 ANOISON ELECTRONICS LTD	
.XX	±0.13 [.005"]		
.X	±0.20 [.008"]		
X	±0.50 [.019"]		
.X°	±1°		
X°	±2°		



TITLE
N STRAIGHT FEMALE BULKHEAD WATERPROOF SOLDER FOR .141 CABLE, CAPTIVATED CONTACT

VIEW	PART NO. ANO 5112-1220		
	SIZE A3	SCALE 2.5:1	SHEET 1/1
			REV. A