

MATERIAL & FINISH:

- 1 BODY: BRASS, NICKEL PLATED
- 2 CENTER CONTACT: PHOSPHOR BRONZE, GOLD PLATED
- 3 INSULATOR: PTFE
- 4 CRIMP FERRULE: COPPER, NICKEL PLATED
- 5 FASTENING NUT: BRASS, NICKEL PLATED
- 6 LOCK WASHER: PHOSPHOR BRONZE, NICKEL PLATED
- 7 O-RING: SILICONE RUBBER

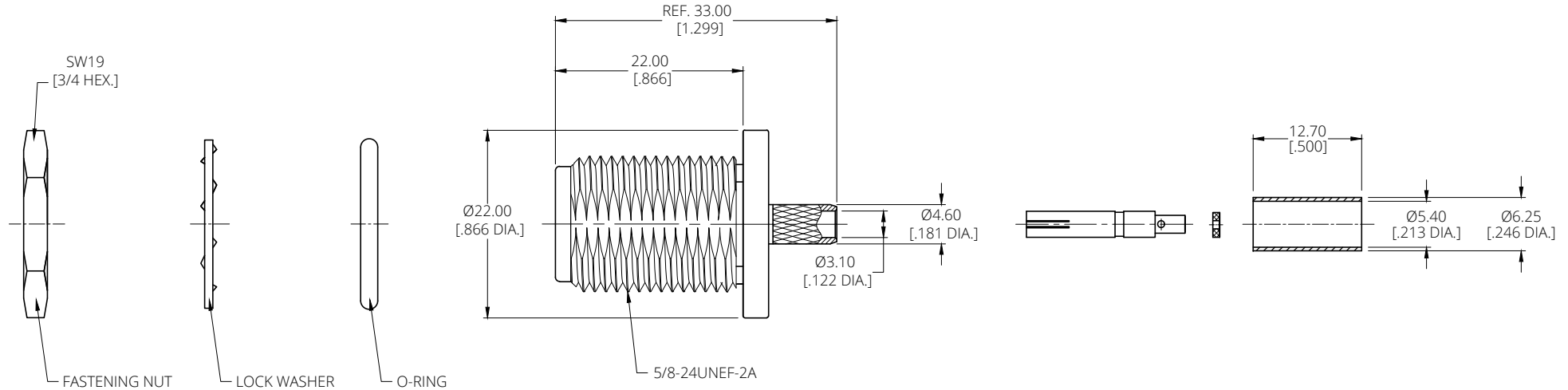
ELECTRICAL DATA:

- 1 IMPEDANCE: 50 Ω
- 2 FREQUENCY RANGE: DC~6 GHz

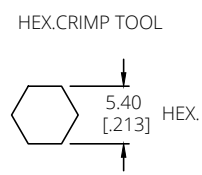
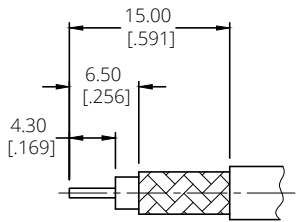
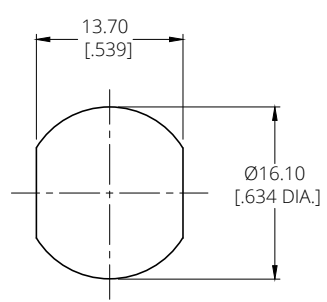
ENVIRONMENTAL DATA:

- 1 TEMPERATURE RANGE: -55°C~+125°C
- 2 2011/65/EU(RoHS) AND 2015/863/(RoHS): COMPLIANT
- 3 REACH SVHC247: COMPLIANT

REVISIONS			
REV.	DESCRIPTION	DATE	APPROVED
A	INITIAL RELEASE	07/18/05	J. Q
B	STRUCTURE CHANGE	01/15/10	J. Q
C	MATERIAL & FINISH ADDED	02/13/14	J. Q
D	DRAWING FORMAT CHANGED	07/17/25	J. Q



PART NO.	PART	MATERIAL	FINISH
ANO 5112-1009	BODY	BRASS	NICKEL
	FASTENING NUT		
ANO 5112-1009-1	BODY	STAINLESS STEEL	PASSIVATED
	FASTENING NUT		



CRIMP WIDTH: 10 [.394]

DRAWN	X. Y	DATE	07/17/25
CHECKED	W. Y	DATE	07/17/25
APPROVED	J. Q	DATE	07/17/25
UNLESS OTHERWISE SPECIFIED DIMENSIONS ARE IN MILLIMETERS, DIMENSIONS IN [] ARE IN INCHES FOR CUSTOMER REFERENCE ONLY UNLESS OTHERWISE SPECIFIED TOLERANCE ARE:		THESE DRAWINGS AND SPECIFICATIONS ARE THE PROPERTY OF ANOISON ELECTRONICS LTD AND SHOULD NOT BE USED WITHOUT WRITTEN PERMISSION COPYRIGHT © 2025 ANOISON ELECTRONICS LTD	
.XX	±0.13 [.005"]		
.X	±0.20 [.008"]		
X	±0.50 [.019"]		
X°	±1°		
X"	±2°		



TITLE			
N STRAIGHT BULKHEAD WATERPROOF FFEMALE CRIMP FOR LMR195/RG58 CABLE			
VIEW		PART NO.	
		ANO 5112-1009	
SIZE	SCALE	SHEET	REV.
A3	2:1	1/1	D