

4

3

2

1

MATERIAL & FINISH:

- 1 BODY: STAINLESS STEEL, PASSIVATED
- 2 COUPLING NUT: STAINLESS STEEL, PASSIVATED

ENVIRONMENTAL DATA:

- 1 TEMPERATURE RANGE: -40°C~+85°C
- 2 2011/65/EU (RoHS): COMPLIANT

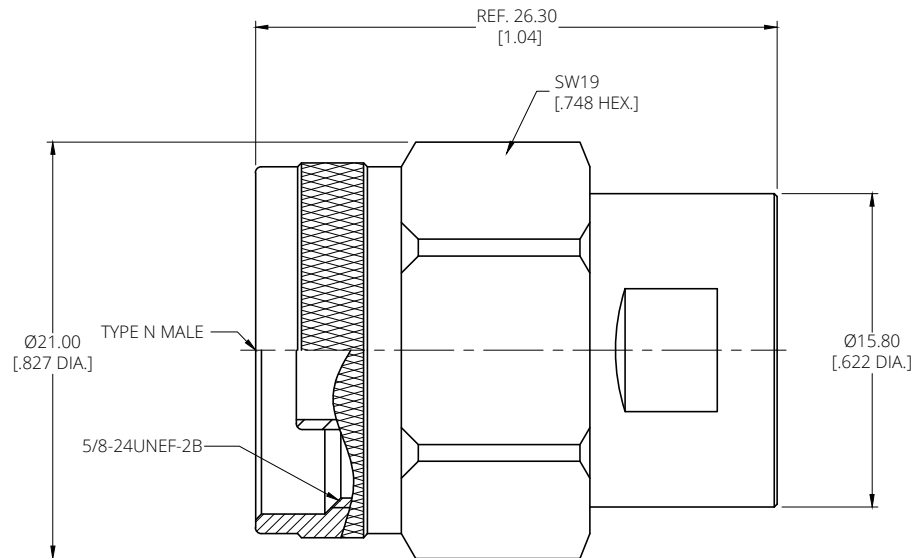
ELECTRICAL DATA:

- 1 IMPEDANCE: 50 Ω
- 2 FREQUENCY RANGE: DC~6 GHz
- 3 PHASE DEVIATION:  $\leq \pm 1^\circ$
- 4 RETURN LOSS: 0.1dB MAX.

MECHANICAL DATA:

- 1 MATING CYCLE: 500 MIN.

REVISIONS			
REV.	DESCRIPTION	DATE	APPROVED
A	INITIAL RELEASE	04/09/12	J. Q
D	SHAPE CHANGED	11/28/24	J. Q



DRAWN	Y. H	DATE	11/28/24
CHECKED	P. C	DATE	11/28/24
APPROVED	J. Q	DATE	11/28/24
UNLESS OTHERWISE SPECIFIED DIMENSIONS ARE IN MILLIMETERS, DIMENSIONS IN [ ] ARE IN INCHES FOR CUSTOMER REFERENCE ONLY UNLESS OTHERWISE SPECIFIED TOLERANCE ARE:		THESE DRAWINGS AND SPECIFICATIONS ARE THE PROPERTY OF ANOISON ELECTRONICS LTD AND SHOULD NOT BE USED WITHOUT WRITTEN PERMISSION COPYRIGHT © 2024 ANOISON ELECTRONICS LTD	
.XX	±0.13 [.005"]		
.X	±0.20 [.008"]		
X	±0.50 [.019"]		
X°	±1°		
X°	±2°		



TITLE			
OPEN CIRCUIT, N MALE			
VIEW		PART NO.	
		ANO 5111-6071	
SIZE	SCALE	SHEET	REV.
A3	4:1	1/1	D

4

3

2

1

D

C

B

A

D

C

B

A