

4

3

2

1

MATERIAL & FINISH

- 1 BODY: BRASS, NICKEL PLATED
- 2 GASKET: SILICONE RUBBER

ENVIRONMENTAL DATA:

- 1 TEMPERATURE RANGE: -55°C~+125°C
- 2 2011/65/EU (RoHS): COMPLIANT

REVISIONS

| REV. | DESCRIPTION | DATE | APPROVED |
|------|-----------------|----------|----------|
| A | INITIAL RELEASE | 04/05/13 | J. Q |
| | | | |

D

D

C

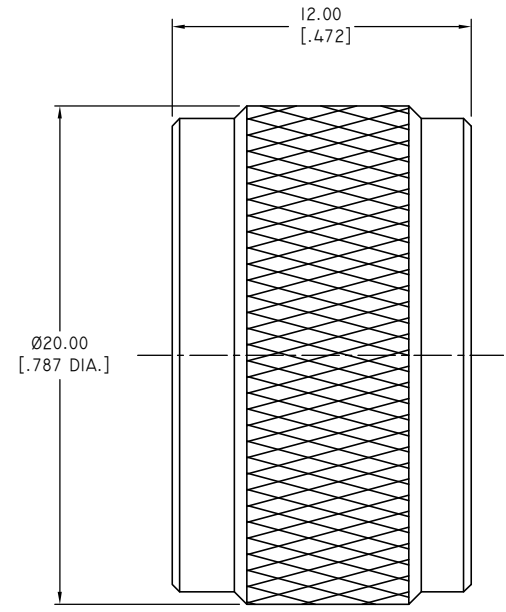
C

B

B

A

A



| | | | |
|---|---------------|--|----------|
| DRAWN | X. B. YANG | DATE | 04/05/13 |
| CHECKED | L. YANG | DATE | 04/05/13 |
| APPROVED | J. QU | DATE | 04/05/13 |
| UNLESS OTHERWISE SPECIFIED DIMENSIONS ARE IN MILLIMETERS, DIMENSIONS IN [] ARE IN INCHES FOR CUSTOMER REFERENCE ONLY UNLESS OTHERWISE SPECIFIED TOLERANCE ARE: | | THESE DRAWINGS AND SPECIFICATIONS ARE THE PROPERTY OF ANOISON ELECTRONICS LTD AND SHOULD NOT BE USED WITHOUT WRITTEN PERMISSION COPYRIGHT © 2013 ANOISON ELECTRONICS LTD | |
| .XX | ±0.13 [.005"] | | |
| .X | ±0.20 [.008"] | | |
| X | ±0.50 [.019"] | | |
| X° | ±1° | | |
| X" | ±2° | | |



| | | | |
|-------|---------------------------|--|--|
| TITLE | N CAP, MALE WITHOUT CHAIN | | |
| VIEW | PART NO. ANO 5111-6060 | | |

| | | | |
|------|-------|-------|------|
| SIZE | SCALE | SHEET | REV. |
| A3 | 5:1 | 1/1 | A |

4

3

2

1