

MATERIAL & FINISH:

- 1 BODY: BRASS, NICKEL PLATED
- 2 CENTER CONTACT: BRASS, GOLD PLATED
- 3 COUPLING NUT: BRASS, NICKEL PLATED
- 4 RETAINING RING: PHOSPHOR BRONZE, UNPLATED
- 5 INSULATOR: PTFE
- 6 GASKET: SILICONE RUBBER

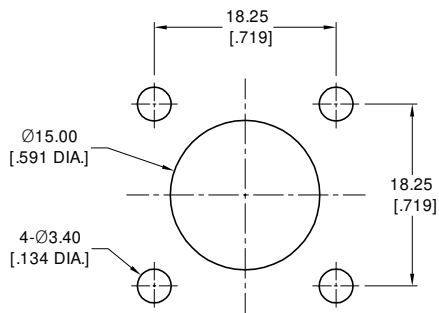
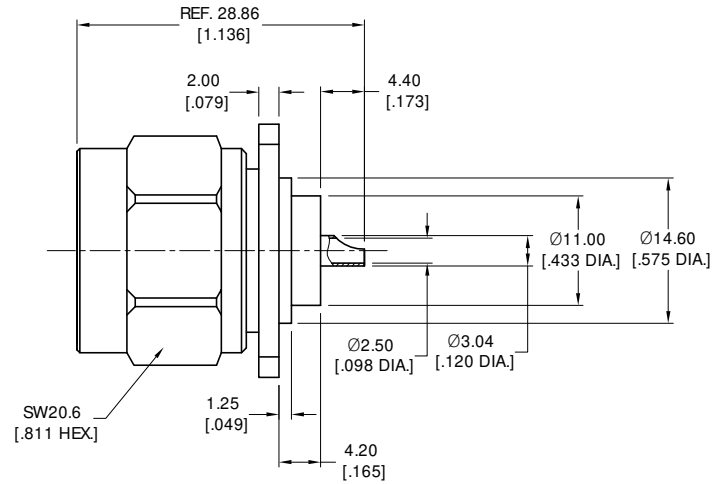
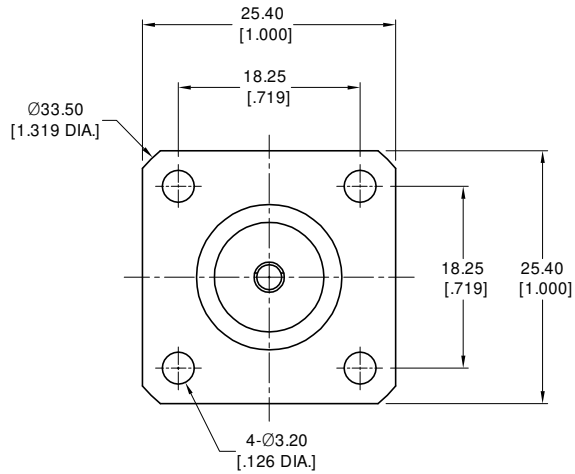
ELECTRICAL DATA:

- 1 IMPEDANCE: 50 Ω
- 2 FREQUENCY RANGE: DC~11 GHz

ENVIRONMENTAL DATA:

- 1 TEMPERATURE RANGE: -55 °C~+125 °C
- 2 2011/65/EU (RoHS) AND 2015/863/(RoHS): COMPLIANT
- 3 1999/2006/EC (REACH): COMPLIANT

REVISIONS			
REV.	DESCRIPTION	DATE	APPROVED
A	INITIAL RELEASE	08/18/23	J Q



RECOMMENDED MOUNTING HOLE

DRAWN	P. C	DATE	08/18/23
CHECKED	W. Y	DATE	08/18/23
APPROVED	J Q	DATE	08/18/23
UNLESS OTHERWISE SPECIFIED DIMENSIONS ARE IN MILLIMETERS, DIMENSIONS IN [] ARE IN INCHES FOR CUSTOMER REFERENCE ONLY UNLESS OTHERWISE SPECIFIED TOLERANCE ARE:		THESE DRAWINGS AND SPECIFICATIONS ARE THE PROPERTY OF ANOISON ELECTRONICS LTD AND SHOULD NOT BE USED WITHOUT WRITTEN PERMISSION COPYRIGHT © 2023 ANOISON ELECTRONICS LTD	
XX	±0.13 [.005"]		
X	±0.20 [.008"]		
X	±0.50 [.019"]		
.X"	±1°		
.X"	±2°		



TITLE			
N STRAIGHT MALE 4 HOLE 1/2 SQUARE FLANGE WITH SOLDER POT CONTACT			
VIEW	PART NO.		
	ANO 5111-3390		
SIZE	SCALE	SHEET	REV.
A3	2:1	1/1	A