

1.0 MATERIAL & FINISH

- 1.1 BODY: STAINLESS STEEL, PASSIVATED
- 1.2 CENTER CONTACT: BERYLLIUM COPPER ALLOY, GOLD PLATED
- 1.3 INSULATOR: PTFE & PEI

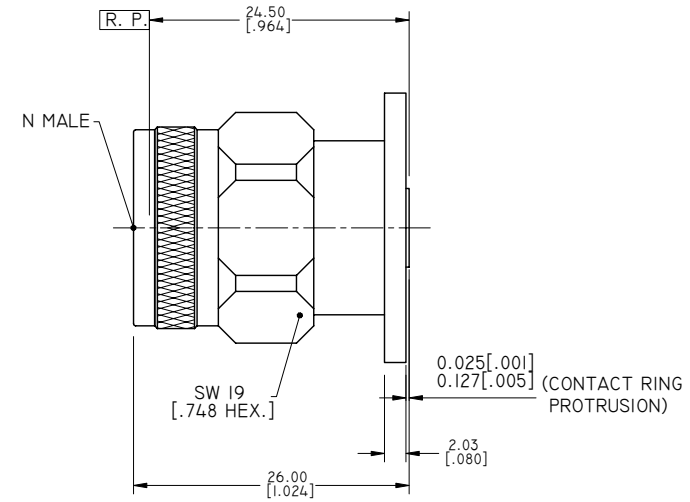
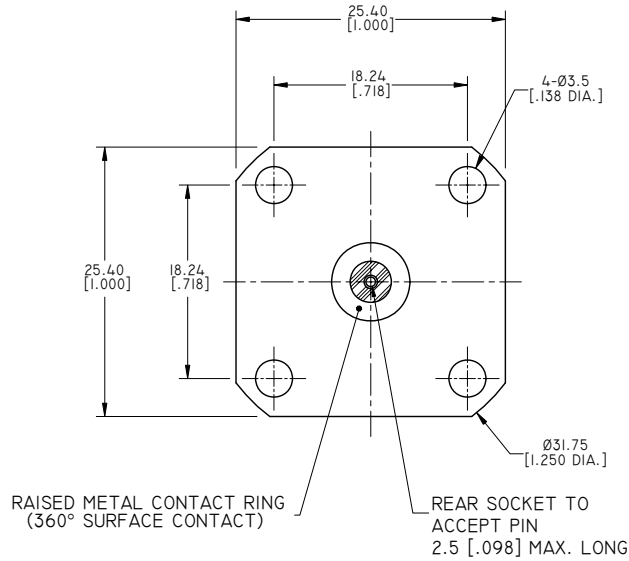
3.0 ELECTRICAL DATA:

- 3.1 IMPEDANCE: 50 OHMS
- 3.2 FREQUENCY RANGE: DC~18 GHZ
- 3.3 VSWR: 1.15 MAX.

2.0 ENVIRONMENTAL DATA:

- 2.1 TEMPERATURE RANGE: -55°C~+165°C
- 2.2 2011/65/EU (RoHS): COMPLIANT

REVISIONS			
REV.	DESCRIPTION	DATE	APPROVED
A	INITIAL RELEASE	02/05/16	J. QU



PART NO.	D
ANO 5111-3243-1	Ø0.91 [.036 DIA.]
ANO 5111-3243-2	Ø0.51 [.020 DIA.]
ANO 5111-3243-3	Ø0.46 [.018 DIA.]
ANO 5111-3243-4	Ø0.38 [.015 DIA.]

DRAWN	P. CHEN	DATE	02/05/16
CHECKED	L. YANG	DATE	02/05/16
APPROVED	J. QU	DATE	02/05/16
UNLESS OTHERWISE SPECIFIED DIMENSIONS ARE IN MILLIMETERS. DIMENSIONS IN [] ARE IN INCHES FOR CUSTOMER REFERENCE ONLY UNLESS OTHERWISE SPECIFIED TOLERANCE ARE:		THESE DRAWINGS AND SPECIFICATIONS ARE THE PROPERTY OF ANOISON ELECTRONICS LTD AND SHOULD NOT BE USED WITHOUT WRITTEN PERMISSION COPYRIGHT © 2015 ANOISON ELECTRONICS LTD	
.XX	±0.13 [.005"]		
.X	±0.20 [.008"]		
X	±0.50 [.019"]		
.X°	±1°		
X°	±2°		



TITLE			
N STRAIGHT MALE 4 HOLE 1.0SQ FLANGE TO ACCEPT PIN			
VIEW		PART NO.	
		ANO 5111-3243	
SIZE	SCALE	SHEET	REV.
A3	2:1	1/1	A